



Application

- It is widely used for heating ventilating and air conditioning (HVAC) circulation, pressure boosting of hot water in family, homes powered by solar energy, industrial auxiliary equipment cold and hot water circulation and so forth
- Water circulation for the central and district heating system
- Domestic hot water circulation

Pump

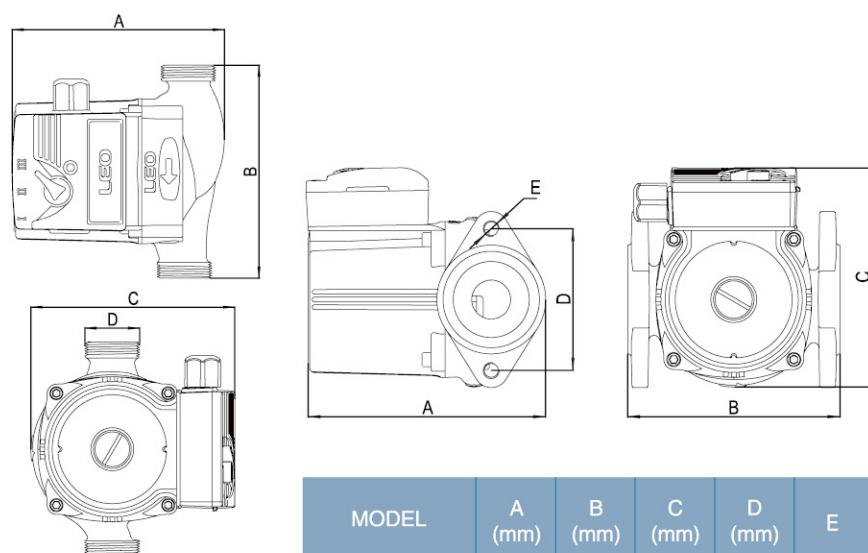
- Bronze or anti-rust cast iron pump body
- Noryl impeller with heat resistance up to 150°C
- 99% alumina ceramic shaft
- Liquid temperature: 2°C - 110°C

Motor

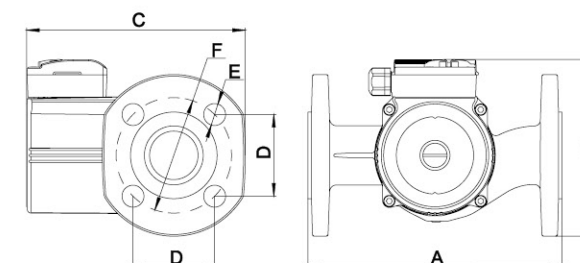
- Insulation class: H
- Protection class: IP44
- 99% alumina ceramic bearing
- Copper winding
- Three speed motor

MODEL	A (mm)	B (mm)	C (mm)	D
LRP15-40/130	130	130	125	G1
LRP15-40B/130	130	130	125	G1
LRP20-40/130	130	130	125	G1.25
LRP25-40/130	130	130	125	G1.5
LRP25-40/180	130	180	125	G1.5
LRP32-40/180	135	180	125	G2
LRP15-50/130	130	130	125	G1
LRP15-50B/130	130	130	125	G1
LRP20-50/130	130	130	125	G1.25
LRP25-50/130	130	130	125	G1.5
LRP25-50/180	130	180	125	G1.5
LRP32-50/180	135	180	125	G2
LRP15-60/130	130	130	125	G1
LRP15-60B/130	130	130	125	G1
LRP20-60/130	130	130	125	G1.25
LRP25-60/130	130	130	125	G1.5
LRP25-60/180	130	180	125	G1.5
LRP32-60/180	135	180	125	G2
LRP25-70/130	130	130	125	G1.5
LRP25-70/180	130	180	125	G1.5
LRP32-70/180	135	180	125	G2
LRP25-80/180	154	180	134	G1.5
LRP25-120/180	155	180	148	G1.5
LRP32-80/180	168	180	137	G2

Dimension Drawing



MODEL	A (mm)	B (mm)	C (mm)	D (mm)	E
LRP21-40F/120	130	120	125	80	M10
LRP21-50F/120	130	120	125	80	M10
LRP21-60F/120	130	120	125	80	M10
LRP21-70F/120	130	120	125	80	M10



MODEL	A (mm)	B (mm)	C (mm)	D (mm)	E (mm)	F (mm)
LRP32-80F/220	220	150	191.5	70.7	Ø19	Ø100
LRP36-80F/200	200	138	174.5	63.6	Ø11.5	Ø90
LRP40-80F/250	250	155	196.5	77.8	Ø19	Ø110

Identification Codes

LRP 15 - 50 B / 130

- Distance between Inlet and Outlet (mm)
- No identification=Cast iron pump body & threaded connection
- F=Cast iron pump body & flange connection
- B=Bronze pump body & threaded connection
- Max. Head (dm)
- Inlet/Outlet Diameter (mm)
- LEO Booster/Circulation Pump

MODEL	Voltage / Frequency	POWER(W)			Max. Flow (l/min)	Max. Head (m)	Inlet/Outlet (mm)	Pipe Size (inch)	N.W. (kgs)	G.W. (kgs)	Packing Size (mm)
		3	2	1							
LRP15-40/130	220~240/50Hz	67	58	40	46/42/30	4.5/4.4/3.6	Ø15	1	2.32	2.45	154x143x153
LRP15-40B/130	220~240/50Hz	67	58	40	46/42/30	4.5/4.4/3.6	Ø15	1	2.41	2.54	154x143x153
LRP20-40/130	220~240/50Hz	68	59	40	51/46/32	4.3/4.1/3.6	Ø20	1.25	2.37	2.5	154x143x153
LRP21-40F/120	220~240/50Hz	74	54	34	55/42/30	4.0/3.3/2.3	Ø21	1.25	2.65	2.78	154x143x153
LRP25-40/130	220~240/50Hz	72	63	42	60/55/33	4.6/3.3/2.3	Ø25	1.5	2.44	2.57	154x143x153
LRP25-40/180	220~240/50Hz	73	64	43	64/58/35	4.6/4.3/3.9	Ø25	1.5	2.55	2.705	198x143x160
LRP32-40/180	220~240/50Hz	69	60	41	60/54/37	4.3/4.0/3.4	Ø32	2	2.73	2.885	198x143x160
LRP15-50/130	220~240/50Hz	85	60	40	40/32/23	4.5/3.8/2.5	Ø15	1	2.32	2.45	154x143x153
LRP15-50B/130	220~240/50Hz	85	60	40	47/37/25	4.5/3.8/2.5	Ø15	1	2.41	2.54	154x143x153
LRP20-50/130	220~240/50Hz	75	65	42	50/43/28	5.2/4.9/3.4	Ø20	1.25	2.37	2.5	154x143x153
LRP21-50F/120	220~240/50Hz	85	60	40	55/43/28	4.5/3.8/2.5	Ø21	1.25	2.65	2.78	154x143x153
LRP25-50/130	220~240/50Hz	73	62	41	60/52/33	5.3/5.0/3.6	Ø25	1.5	2.44	2.57	154x143x153
LRP25-50/180	220~240/50Hz	75	66	43	63/53/35	5.2/4.9/3.2	Ø25	1.5	2.55	2.705	198x143x160
LRP32-50/180	220~240/50Hz	73	65	42	63/54/35	5.2/4.9/3.7	Ø32	2	2.73	2.885	198x143x160
LRP15-60/130	220~240/50Hz	85	71	44	48/42/28	6.0/5.8/4.2	Ø15	1	2.32	2.45	154x143x153
LRP15-60B/130	220~240/50Hz	85	71	44	48/42/28	6.0/5.8/4.2	Ø15	1	2.41	2.54	154x143x153
LRP20-60/130	220~240/50Hz	96	69	45	53/37/25	5.5/4.5/2.8	Ø20	1.25	2.37	2.5	154x143x153
LRP21-60F/120	220~240/50Hz	96	69	45	60/45/32	5.5/4.5/2.8	Ø21	1.25	2.65	2.78	154x143x153
LRP25-60/130	220~240/50Hz	83	70	43	58/43/28	5.5/4.5/2.8	Ø25	1.5	2.44	2.57	154x143x153
LRP25-60/180	220~240/50Hz	83	69	44	68/60/35	6.1/5.8/4.5	Ø25	1.5	2.55	2.705	198x143x160
LRP32-60/180	220~240/50Hz	85	77	44	66/58/38	5.9/5.5/4.1	Ø32	2	2.73	2.885	198x143x160
LRP21-70F/120	220~240/50Hz	150	130	105	67/50/37	6.3/6.0/5.2	Ø21	1.5	2.65	2.805	154x143x153
LRP25-70/130	220~240/50Hz	150	130	105	67/50/37	6.3/6.0/5.2	Ø25	1.5	2.45	2.605	154x143x153
LRP25-70/180	220~240/50Hz	150	130	105	67/50/37	6.3/6.0/5.2	Ø25	1.5	2.57	2.725	198x143x160
LRP32-70/180	220~240/50Hz	150	130	105	67/50/34	6.3/6.0/5.2	Ø32	2	2.75	2.905	198x143x160
LRP25-80/180	220~240/50Hz	200	190	160	120/100/60	7.1/6.5/5.5	Ø28	1.5	4.23	4.57	192x170x190
LRP32-80/180	220~240/50Hz	270	245	160	167/100/60	7.3/6.7/5.4	Ø42	2	4.75	5.09	192x170x190
LRP32-80F/220	220~240/50Hz	270	245	160	170/113/65	7.3/6.7/5.4	Ø42	2	7.57	8	235x181x207
LRP36-80F/200	220~240/50Hz	270	245	160	170/113/65	7.3/6.7/5.4	Ø42	2	5.98	6.36	214x170x190
LRP40-80F/250	220~240/50Hz	270	245	160	170/113/65	7.3/6.7/5.4	Ø42	2	8.27	8.74	264x186x212
LRP25-120/180	220~240/50Hz	268	249	163	81/47/30	12/11/8	Ø18	1.5	4.62	4.96	192x170x190