

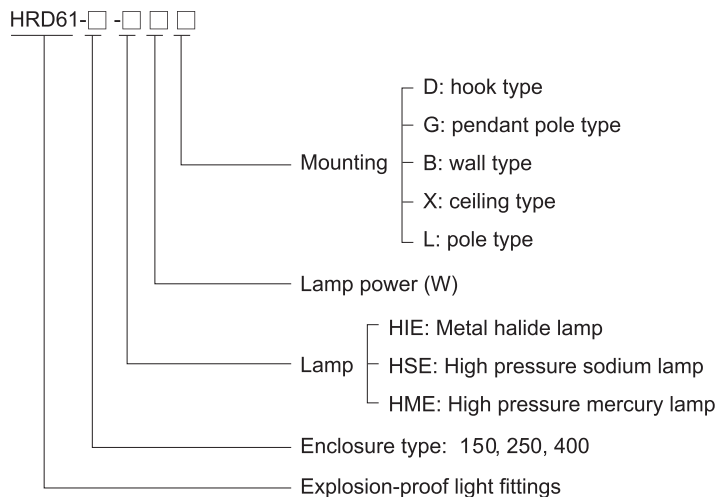
Pendant Light Fittings

HRD61 Series Explosion-proof Light Fittings



- ◆ Explosion protection to
 - CENELEC
 - IEC
 - NEC
- ◆ Can be used in
 - Zone 1 and Zone 2
 - Zone 21 and Zone 22
 - Class I, Zone 1 and Zone 2
 - Class I, Division 1, Groups A, B, C, D
- ◆ Available lamp (max. 400W)
 - Metal halide lamp (HIE)
 - High pressure mercury lamp (HME)
 - High pressure sodium lamp (HSE)
- ◆ Three enclosure types: 150, 250, 400.
- ◆ Integral control gear, easy installation and maintenance.
- ◆ Explosion-proof trigger, rapid starting, stable performance and long service life.
- ◆ Wireless connection between body and top cover, easy installation and maintenance.
- ◆ Powder coated wire guard, white.
- ◆ Toughened glass cover resistant to temperature changes.

Catalogue number logic



Selection table

Type/Ordering code	Available lamp power (W)			Lamp holder
	HIE	HSE	HME	
HRD61-150	70, 100, 150	70, 100	80, 125	E27
HRD61-250	175, 250	150, 250	175, 250	E40
HRD61-400	400	400	400	E40

Note

1. The light fittings are supplied without lamp. PHILIPS lamps are recommended.
2. HPI European standard ballast is supplied with HIE light fitting. HPI European standard lamps are recommended.
3. The light fittings are supplied without external reflector. Please specify when ordering.

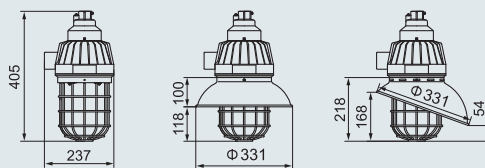
Zones 1&2; 21&22

Pendant Light Fittings HRD61 Series Explosion-proof Light Fittings

Technical data	
Explosion-proof light fittings	HRD61-150-□□□
Explosion protection Gas explosion protection Dust explosion protection	<p>⊕ II 2 G Ex d IIC T4/T3 Gb</p> <p>⊕ II 2 D Ex tD A21 T135°C/T200°C IP66</p>
Certificates	DNV 10 ATEX 85533X; IECEx CQM 11.0010; RU C-CN.ГБ05.В.00344 (CU-TR) KZ.7500525.22.01.00380 (CU-TR)
Conformity to standards	EN 60079-0, EN 60079-1, EN 61241-0, EN 61241-1 IEC 60079-0, IEC 60079-1, IEC 61241-0, IEC 61241-1
Material Enclosure Wire guard Transparent cover Ballast Trigger Capacitor Internal reflector External reflector(optional) Exposed fastener	<p>Copper-free aluminium, powder coated surface, yellow (RAL1021)</p> <p>Powder coated carbon steel, white</p> <p>Toughened glass, stands 4J impact</p> <p>Electromagnetic ballast, rapid starting, stable performance</p> <p>Explosion-proof trigger</p> <p>Power factor ≥ 0.90 (compensated)</p> <p>High-purity aluminium</p> <p>Pure aluminium, anodic-oxidation treatment for surface</p> <p>Stainless steel</p>
Lamp Lamp holder Available lamp and lamp power (W)	<p>E27</p> <p>Metal halide lamp (HIE): 70W, 100W, 150W</p> <p>High pressure mercury lamp (HME): 80W, 125W</p> <p>High pressure sodium lamp (HSE): 70W, 100W</p> <p>Note: HPI European standard ballast is available in general 220~240V AC 50Hz (60Hz is optional)</p>
Rated voltage	M5 (internal & external earth bolts)
Earthing protection	IP66, IP67(optional)
Degree of protection	T4/T135 °C for Tamb: -60°C~+40°C; T3/T200 °C for Tamb: -60°C~+55°C
Ambient temperature	3 x 1.5~2.5mm ² (L+N+PE)
Terminal	1 x G3/4" (pendant pole type and hook type); 4 x M25x1.5 (wall type and ceiling type); 1 x G1"(pole type)
Cable entries	See Mounting type
Cable gland	Φ 10~Φ 14 (mm)
Available cable outer diameter	



Mounting type (all dimensions in mm) – subject to alteration



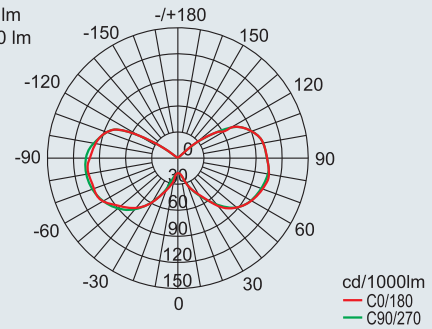
G: pendant pole type	D: hook type	X: ceiling type	B: wall type	L: pole type
<p>Weight: 10.35kg</p> <p>Accessories supplied with the light fittings:</p> <ol style="list-style-type: none"> BGJ-III explosion-proof connector G3/4" (M)/M25 x 1.5 (F), carbon steel. Straight pipe (M25 x 1.5), length: 300mm. BHD51-F (Ex d IIC, copper-free aluminium), see P3/4. 	<p>Weight: 9.30kg</p> <p>Accessories supplied with the light fittings:</p> <ol style="list-style-type: none"> BGJ-III explosion-proof connector G3/4" (M)/M25 x 1.5 (F), carbon steel. Hook (carbon steel) 	<p>Weight: 9.45kg</p> <p>Accessories supplied with the light fittings:</p> <ol style="list-style-type: none"> 4 x M25 x 1.5 Plugs; Ex d cable gland (optional); DQM-II (Ex d) or DQM-III (Ex d) is recommended. Please see P7/20~27. 	<p>Weight: 11.20kg</p> <p>Accessories supplied with the light fittings:</p> <ol style="list-style-type: none"> 4 x M25 x 1.5 Plugs; Ex d cable gland (optional); DQM-II (Ex d) or DQM-III (Ex d) is recommended. Please see P7/20~27. 	<p>Weight: 9.70kg</p> <p>Accessories supplied with the light fittings:</p> <ol style="list-style-type: none"> Pole shall be provided by user. Locking bolt, 1No. Washer, 2 Nos. Seal ring, 1No.

Pendant Light Fittings HRD61 Series Explosion-proof Light Fittings

Photometric data

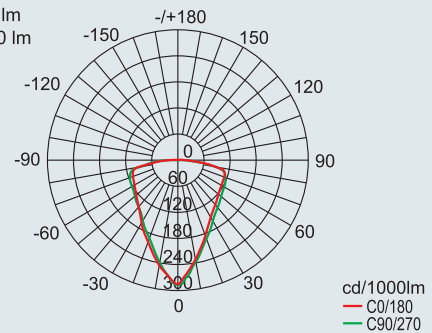
HRD61-150-□□□(Without external reflector)

Rated luminous flux
 70W High pressure sodium lamp: 6600 lm
 100W High pressure sodium lamp: 10200 lm
 70W Metal halide lamp: 5000 lm
 100W Metal halide lamp: 9000 lm
 150W Metal halide lamp: 13500 lm
 80W High pressure mercury lamp: 3800 lm
 125W High pressure mercury lamp: 6300 lm
 The data from Philips lamp



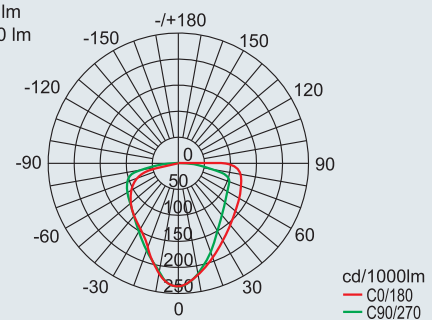
HRD61-150-□□□(With wide reflector)

Rated luminous flux
 70W High pressure sodium lamp: 6600 lm
 100W High pressure sodium lamp: 10200 lm
 70W Metal halide lamp: 5000 lm
 100W Metal halide lamp: 9000 lm
 150W Metal halide lamp: 13500 lm
 80W High pressure mercury lamp: 3800 lm
 125W High pressure mercury lamp: 6300 lm
 The data from Philips lamp



HRD61-150-□□□(With angle reflector)

Rated luminous flux
 70W High pressure sodium lamp: 6600 lm
 100W High pressure sodium lamp: 10200 lm
 70W Metal halide lamp: 5000 lm
 100W Metal halide lamp: 9000 lm
 150W Metal halide lamp: 13500 lm
 80W High pressure mercury lamp: 3800 lm
 125W High pressure mercury lamp: 6300 lm
 The data from Philips lamp

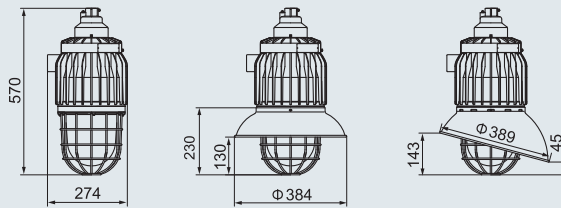


We can provide lighting design and data by professional lighting software DIALUX based upon simulated site situation on request.

Pendant Light Fittings HRD61 Series Explosion-proof Light Fittings

Technical data	
Explosion-proof light fittings	HRD61-250-□□□
Explosion protection Gas explosion protection Dust explosion protection	Ex II 2 G Ex d IIC T3 Gb Ex II 2 D Ex tb IIIC T190°C Db IP66
Certificates	LCIE 05 ATEX 6142; IECEx CQM 07.0003X; KZ.7500525.22.01.00380 (CU-TR)
Conformity to standards	EN 60079-0, EN 60079-1, EN 60079-31 IEC 60079-0, IEC 60079-1, IEC 60079-31
Material Enclosure Wire guard Transparent cover Ballast Trigger Capacitor Internal reflector External reflector(optional) Exposed fastener	Copper-free aluminium, powder coated surface, yellow (RAL1021) Powder coated carbon steel, white Toughened glass, stands 4J impact Electromagnetic ballast, rapid starting, stable performance Explosion-proof trigger Power factor ≥ 0.90 (compensated) High-purity aluminium Pure aluminium, anodic-oxidation treatment for surface Stainless steel
Lamp Lamp holder Available lamp and lamp power (W)	E40 Metal halide lamp (HIE): 175W, 250W High pressure mercury lamp (HME): 175W, 250W High pressure sodium lamp (HSE): 150W, 250W Note: HPI European standard ballast is available in general
Rated voltage	220~240V AC 50Hz (60Hz is optional)
Earthing protection	M5 (internal & external earth bolts)
Degree of protection	IP66
Ambient temperature	-20°C ~ +55°C
Terminal	3 x 1.5~2.5mm ² (L+N+PE)
Cable entries	1 x G3/4" (pendant pole type and hook type); 4 x M25x1.5 (wall type and ceiling type); 1 x G1"(pole type)
Cable gland	See Mounting type
Available cable outer diameter	$\Phi 10 \sim \Phi 14$ (mm)

Mounting type (all dimensions in mm) – subject to alteration



G: pendant pole type	D: hook type	X: ceiling type	B: wall type	L: pole type
<p>Weight: 17.20kg Accessories supplied with the light fittings: ①. BGJ-III explosion-proof connector G3/4" (M)/M25 x 1.5 (F), carbon steel. ②. Straight pipe (M25 x 1.5), length: 300mm. ③. BHD51-F (Ex d IIC, cast iron), see P3/4.</p>	<p>Weight: 14.55kg Accessories supplied with the light fittings: ①. BGJ-III explosion-proof connector G3/4" (M)/M25 x 1.5 (F), carbon steel. ④. Hook (carbon steel)</p>	<p>Weight: 15.20kg Accessories supplied with the light fittings: ⑤. 4 x M25 x 1.5 Plugs; Ex d cable gland (optional); DQM-II (Ex d) or DQM-III (Ex d) is recommended. Please see P7/20~27.</p>	<p>Weight: 16.95kg Accessories supplied with the light fittings: ⑤. 4 x M25 x 1.5 Plugs; Ex d cable gland (optional); DQM-II (Ex d) or DQM-III (Ex d) is recommended. Please see P7/20~27.</p>	<p>Weight: 15.50kg Accessories supplied with the light fittings: ⑥. Pole shall be provided by user. ⑦. Locking bolt, 1 No. ⑧. Washer, 2 Nos. ⑨. Seal ring, 1No.</p>



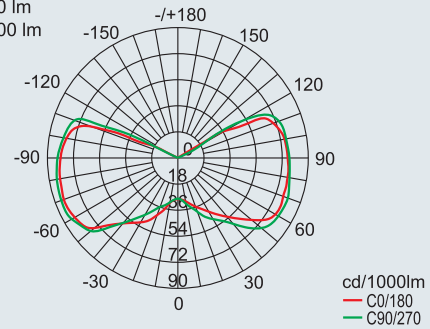
Pendant Light Fittings HRD61 Series Explosion-proof Light Fittings

Photometric data

HRD61-250-□□□(Without external reflector)



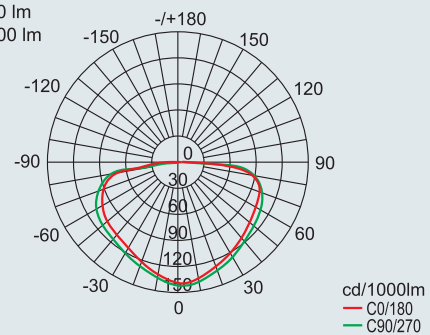
Rated luminous flux
 150W High pressure sodium lamp: 18000 lm
 250W High pressure sodium lamp: 33200 lm
 175W Metal halide lamp: 16000 lm
 250W Metal halide lamp: 23500 lm
 175W High pressure mercury lamp: 7350 lm
 250W High pressure mercury lamp: 13000 lm
 The data from Philips lamp



HRD61-250-□□□(With wide reflector)



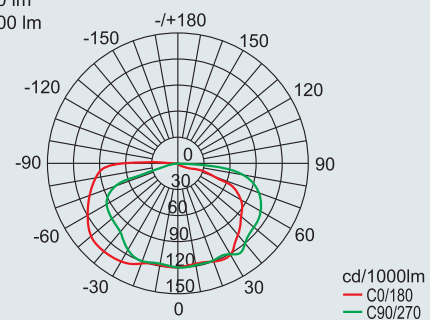
Rated luminous flux
 150W High pressure sodium lamp: 18000 lm
 250W High pressure sodium lamp: 33200 lm
 175W Metal halide lamp: 16000 lm
 250W Metal halide lamp: 23500 lm
 175W High pressure mercury lamp: 7350 lm
 250W High pressure mercury lamp: 13000 lm
 The data from Philips lamp



HRD61-250-□□□(With angle reflector)



Rated luminous flux
 150W High pressure sodium lamp: 18000 lm
 250W High pressure sodium lamp: 33200 lm
 175W Metal halide lamp: 16000 lm
 250W Metal halide lamp: 23500 lm
 175W High pressure mercury lamp: 7350 lm
 250W High pressure mercury lamp: 13000 lm
 The data from Philips lamp

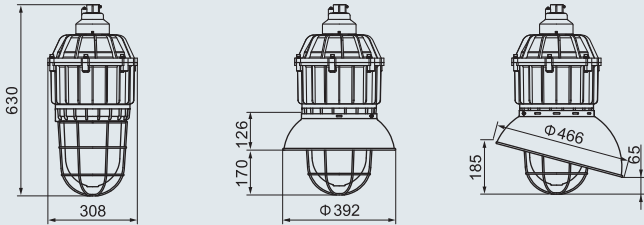
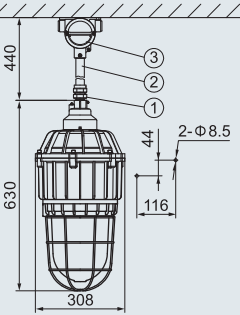
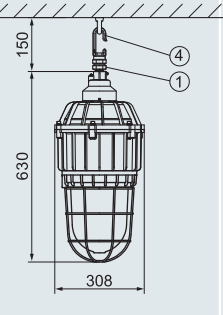
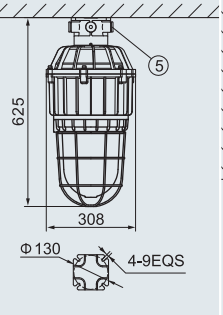
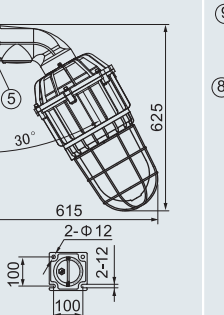
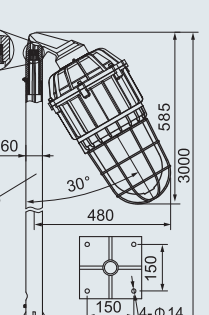


We can provide lighting design and data by professional lighting software DIALUX based upon simulated site situation on request.

Pendant Light Fittings HRD61 Series Explosion-proof Light Fittings

Technical data	
Explosion-proof light fittings	HRD61-400-□□□
Explosion protection Gas explosion protection Dust explosion protection	Ex II 2 G Ex d IIC T3 Gb Ex II 2 D Ex tb IIIC T194°C Db IP66
Certificates	LCIE 07 ATEX 6085; IECEx CQM 08.0004; CU-TR
Conformity to standards	EN 60079-0, EN 60079-1, EN 60079-31 IEC 60079-0, IEC 60079-1, IEC 60079-31
Material Enclosure Wire guard Transparent cover Ballast Trigger Capacitor Internal reflector External reflector(optional) Exposed fastener	Copper-free aluminium, powder coated surface, yellow (RAL1021) Powder coated carbon steel, white Toughened glass, stands 4J impact Electromagnetic ballast, rapid starting, stable performance General trigger Power factor ≥ 0.90 (compensated) High-purity aluminium Pure aluminium, anodic-oxidation treatment for surface Stainless steel
Lamp Lamp holder Available lamp and lamp power (W)	E40 Metal halide lamp (HIE): 400W High pressure mercury lamp (HME): 400W High pressure sodium lamp (HSE): 400W Note: HPI European standard ballast is available in general
Rated voltage	220~240V AC 50Hz (60Hz is optional) 208V, 250V, 277V AC 50Hz (60Hz is optional)
Earthing protection	M5 (internal & external earth bolts)
Degree of protection	IP66
Ambient temperature	-20°C ~ +55°C
Terminal	3 x 1.5~2.5mm ² (L+N+PE)
Cable entries	1 x G3/4" (pendant pole type and hook type); 4 x M25x1.5 (wall type and ceiling type); 1 x G1"(pole type)
Cable gland	See Mounting type
Available cable outer diameter	$\Phi 10$ ~ $\Phi 14$ (mm)

Mounting type (all dimensions in mm) – subject to alteration

				
G: pendant pole type	D: hook type	X: ceiling type	B: wall type	L: pole type
 <p>Weight: 23.65kg Accessories supplied with the light fittings:</p> <ol style="list-style-type: none"> BGJ-III explosion-proof connector G3/4" (M)/M25 x 1.5 (F), carbon steel. Straight pipe(M25 x 1.5), length: 300mm. BHD51-F (Ex d IIC, cast iron), see P3/4. 	 <p>Weight: 20.85kg Accessories supplied with the light fittings:</p> <ol style="list-style-type: none"> BGJ-III explosion-proof connector G3/4" (M)/M25 x 1.5 (F), carbon steel. Hook (carbon steel) 	 <p>Weight: 21.50kg Accessories supplied with the light fittings:</p> <ol style="list-style-type: none"> 4 x M25 x 1.5 Plugs; Ex d cable gland (optional); DQM-II (Ex d) or DQM-III (Ex d) is recommended. Please see P7/20~27. 	 <p>Weight: 23.25kg Accessories supplied with the light fittings:</p> <ol style="list-style-type: none"> 4 x M25 x 1.5 Plugs; Ex d cable gland (optional); DQM-II (Ex d) or DQM-III (Ex d) is recommended. Please see P7/20~27. 	 <p>Weight: 21.80kg Accessories supplied with the light fittings:</p> <ol style="list-style-type: none"> Pole shall be provided by user. Locking bolt, 1 No. Washer, 2 Nos. Seal ring, 1 No.



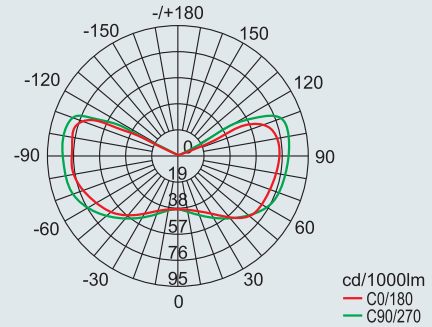
Pendant Light Fittings HRD61 Series Explosion-proof Light Fittings

Photometric data

HRD61-400-□□□(Without external reflector)



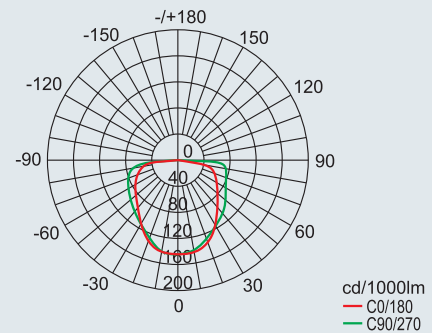
Rated luminous flux
 400W Metal halide lamp: 41000 lm
 400W High pressure sodium lamp: 56500 lm
 400W High pressure mercury lamp: 22000 lm
 The data from Philips lamp



HRD61-400-□□□(With wide reflector)



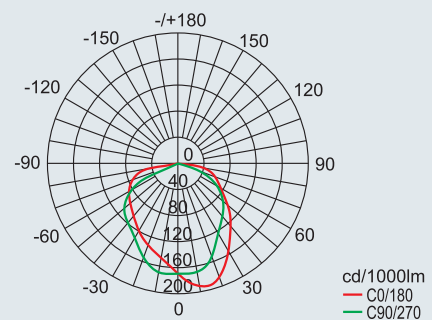
Rated luminous flux
 400W Metal halide lamp: 41000 lm
 400W High pressure sodium lamp: 56500 lm
 400W High pressure mercury lamp: 22000 lm
 The data from Philips lamp



HRD61-400-□□□(With angle reflector)



Rated luminous flux
 400W Metal halide lamp: 41000 lm
 400W High pressure sodium lamp: 56500 lm
 400W High pressure mercury lamp: 22000 lm
 The data from Philips lamp







We can provide lighting design and data by professional lighting software DIALUX based upon simulated site situation on request.

Pendant Light Fittings

HRD61 Series Explosion-proof Light Fittings

Accessories

Picture	Name	Ordering code	Weight (kg)
	150 Wide reflector	61001	0.15
	250 Wide reflector	61002	0.27
	400 Wide reflector	91003	0.45
	150 Angle reflector	61004	0.15
	250 Angle reflector	61005	0.36
	400 Angle reflector	71004	0.57
	Hook	61020	0.20
	Explosion-proof electronic trigger (For HRD61-150 type, HRD61-250 type)	61034	0.34

Note: Ballast, capacitor, 400 type trigger see P1/19

Power connection lamp replacement



- ◆ Unscrew lock bolt at top cover, remove top cover and circlip, and take terminal block out.
- ◆ Connect the cable to terminal block, put terminal block and circlip back to ensure proper connection.



- ◆ Screw top cover at light fitting, keep two arrows on two parts in line to ensure proper connection between two spring contact plates.



- ◆ Unscrew bolts at transparent cover, open the transparent cover and screw lamp into lamp holder. Close cover and screw bolts.

