

FK

SUBMERSIBLE PUMPS FOR SEWAGE





TECHNICAL DATA

Impeller Type: Vortex ; Single channel.
Solid Handling: 65 ÷ 100 mm.
Nominal Power: 1,1 ÷ 11 kW.
Outlet : DN 65 / 80 / 100 / 150.
Performance Range: from 4.3 to 280 m³/h with 41 meters head.
Fluid : wastewater and sewage from buildings and sites in private, commercial, industrial areas.
Fluid PH: 6.5 ÷ 12.
Fluid Temperature Range: from 0° to +40°C. for higher temperature please contact our sale offices.
Max installation Depth: 20mt (with a proper cable length).
Type of installation: fixed by Coupling Unit, portable in vertical position with pedestal.
 Continuous working with total submerged applications, or discontinuous S3 with respect of minimum levels.
Approvals: EN 12050-1 e Ex (ATEX , IECEx).

APPLICATIONS

Design for the pumping of wastewater and sewage from buildings and sites in private, commercial, industrial areas in accordance with European Standard EN 12050-1.

Available in Ex version for use in potentially explosive atmosphere (ATEX certifications: II2G Ex db k IIB T4 or IECEx: Ex db IIB T4 Gb)

PUMP CONSTRUCTION

Vortex impeller with maximum solids handling with new no-clogging shape, Single channel impeller with high efficiency and compliance with European Standard EN 12050-1. Single-unit cartridge seal with double mechanical seals, SiC-SiC at the pump side, SiC-C at the motor side. All seals are independent of rotation direction.

DN 65, DN 80, DN 100, DN150 radial slot EN 1092-1 flange discharge.

Liquid Viscosity : 1mm²/s

MOTOR CONSTRUCTION

Premium Efficiency IE3, three-phase, squirrel-cage motor. Continuously S1 rated motor in submerged applications, or discontinuous S3 according to minimum levels. Seal monitoring by a moisture sensor in the seal chamber, which signals an inspection alert if there is leakage at the mechanical seals (Optional). Bi-metallic switch in stator windings, with max temperature (130°C). Start-up: 1.1 - 4.0 kW = direct on line (DOL); 5.5 - 11.0 kW = star-delta (Y/Δ). Lubricated-for-life bearings with a calculated lifetime of minimum 50,000 hrs. Stainless steel shaft. Designed with high resistance fatigue fracture.

Degree of protection : IP 68.

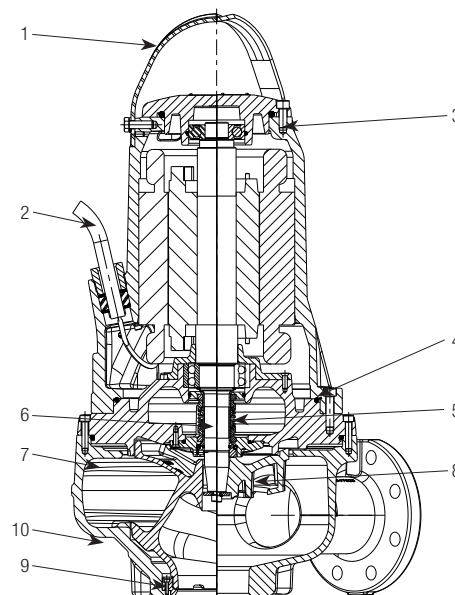
Insulation class : F.

Max starting /hours : 20.

MATERIALS

| N° | PARTS | MATERIALS |
|----|----------------------------|------------------------------|
| 1 | Handle | Stainless Steel (AISI 304) |
| 2 | Electric cable | 07RN8-F |
| 3 | Screws | STAINLESS STEEL (AISI 304) |
| 4 | OR | NBR |
| 5 | Mechanical seal pump side | SiC/SiC |
| | Mechanical seal motor side | SiC/Carbon |
| | Ring Seal* | HNBR |
| 6 | Motor Shaft | Stainless Steel (AISI 420) |
| 7 | Pump body / motor | Cast Iron (EN GJL 200) |
| 8 | Impeller | Cast Iron (EN GJL 250) |
| 9 | Wear ring | Cast Iron (EN GJL 150) |
| 10 | Coating | Acrylic Two-component 50µm |

* only from 3kW 4 poles and from 4kW 2 poles



- DENOMINATION INDEX (example)

| | | | | | | | | | | | |
|-----------------|--|-----------------------------|-----------|-----------|----------|----------|----------|-------------|-----------|----------|--|
| | FK | C | 65 | 22 | 2 | T | 5 | 230D | Ex | S | |
| DIGITS | | | | | | | | | | | |
| FK | Technical pump range name | | | | | | | | | | |
| C | Single channel impeller | | | | | | | | | | |
| V | Vortex impeller | | | | | | | | | | |
| 65 | Outlet diameter | | | | | | | | | | |
| 80 | | | | | | | | | | | |
| 100 | | | | | | | | | | | |
| 150 | | | | | | | | | | | |
| 22 | Approximate nominal power kW x10 (a, b, c, d in case of different curve at same power) | | | | | | | | | | |
| 2 | Number of poles | | | | | | | | | | |
| 4 | | | | | | | | | | | |
| T | Three-phase | | | | | | | | | | |
| 5 | Tension frequency | | | | | | | | | | |
| 6 | 5 = 50hz - 6 = 60hz | | | | | | | | | | |
| 230 | D.O.L. | Tension rate & Start method | | | | | | | | | |
| 220-277 | D.O.L. | | | | | | | | | | |
| 400 | D.O.L. | | | | | | | | | | |
| 380-480 | D.O.L. | | | | | | | | | | |
| 230 | Y/D | | | | | | | | | | |
| 400 | Y/D | | | | | | | | | | |
| 220-277 | Y/D | | | | | | | | | | |
| 380-480 | Y/D | | | | | | | | | | |
| EX | No explosion proof Explosion proof (ATEX) | | | | | | | | | | |
| S | No sensor version (moisture sensor) Sensor version (moisture sensor) NOT for Ex version | | | | | | | | | | |
| 20,30,50 | Cable length 10m Specific cable length | | | | | | | | | | |

STANDARD AND OPTIONS

| | STANDARD | OPTIONS |
|--|----------------------|-------------------|
| MAINS VOLTAGE | 3 x 400 V~ | 3 x 230 V~ |
| VOLTAGE TOLERANCE | + 6 % / -10 %, 50 Hz | - |
| TEMPERATURE MONITORING BY BI-METALLIC SWITCH IN THE STATOR WINDINGS | 150° C | - |
| MECHANICAL SEAL (AT PUMP SIDE) | SiC/SiC | - |
| MECHANICAL SEAL (AT MOTOR SIDE) | SiC/Carbon | - |
| MOISTURE SENSOR | - | YES |
| CABLE LENGTH (M) | 10 | 20-30-50 |
| APPROVALS | EN 12050 -1 | Ex (ATEX , IECEx) |
| O-RING | NBR | FKM (Viton®) |
| INSTALLATION | Wet well | - |

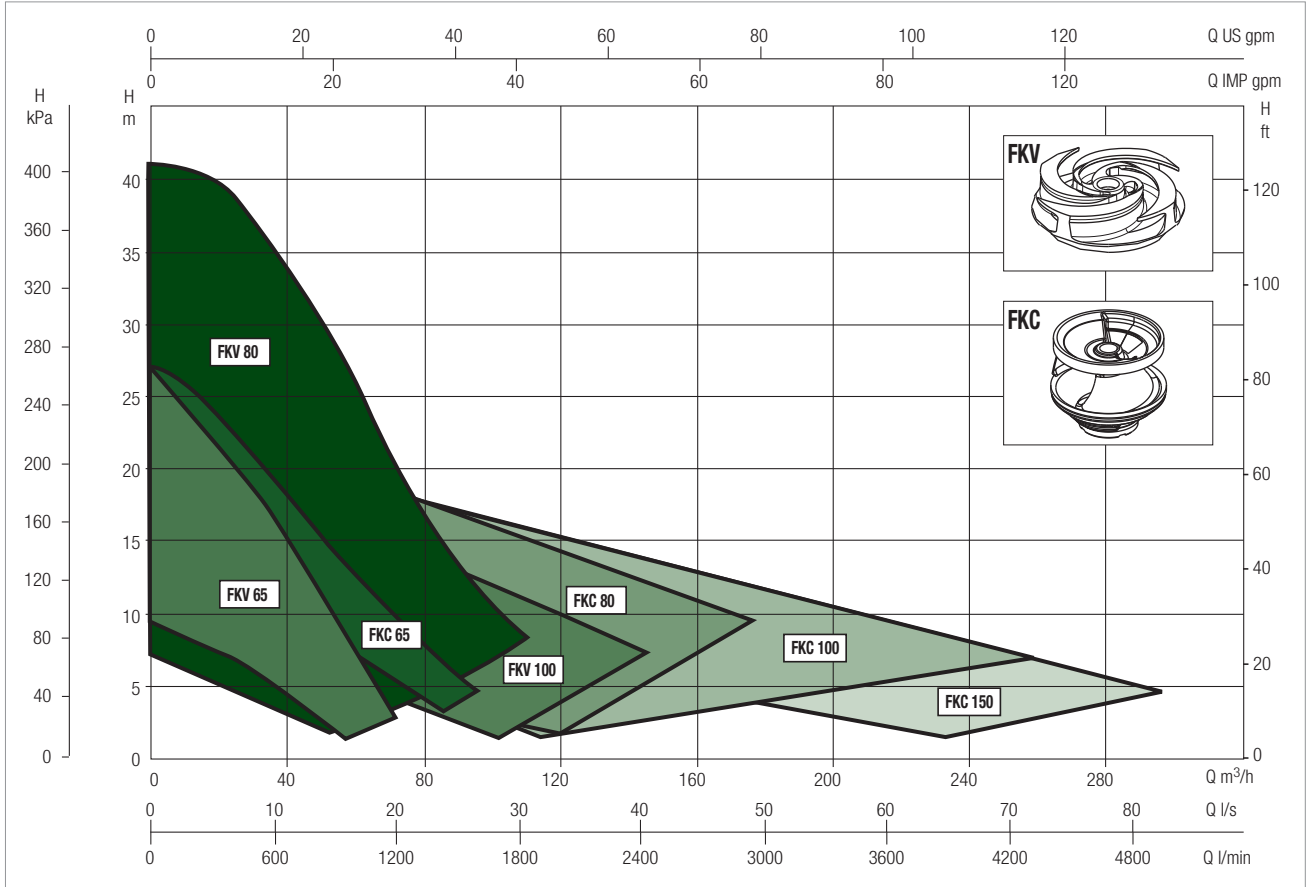
FK RANGE

SUBMERSIBLE PUMPS FOR SEWAGE

PERFORMANCE RANGE

The performance curves are based on kinematic viscosity values = 1 mm²/s and density equal to 1000 kg/m³. Curve tolerance according to ISO 9906.

GRAPHIC SELECTION TABLE



SELECTION TABLE FKV 65

| MODEL | Q | | | | | | | | | | | | | | | | |
|---------------------|---------|------|------|------|------|------|------|------|------|------|------|------|------|------|-------|------|--|
| | 0 | 7,2 | 14,4 | 21,6 | 28,8 | 36 | 43,2 | 50,4 | 57,6 | 64,8 | 72 | 79,2 | 86,4 | 93,6 | 100,8 | 108 | |
| | Q=l/min | | | | | | | | | | | | | | | | |
| | 0 | 120 | 240 | 360 | 480 | 600 | 720 | 840 | 960 | 1080 | 1200 | 1320 | 1440 | 1560 | 1680 | 1800 | |
| FKV 65 11.4 T5 400D | 9,1 | 8,7 | 7,9 | 6,7 | 5,3 | 4,0 | 2,7 | 1,8 | | | | | | | | | |
| FKV 65 22.2 T5 400D | 16,5 | 14,3 | 11,8 | 9,1 | 6,6 | 4,3 | 2,7 | | | | | | | | | | |
| FKV 65 30.2 T5 400D | 21,1 | 19,5 | 17,1 | 14,2 | 11,1 | 8,1 | 5,4 | 3,4 | 2,3 | | | | | | | | |
| FKV 65 40.2 T5 400D | 27,2 | 26,0 | 24,0 | 21,3 | 18,3 | 15,1 | 11,8 | 8,8 | 6,2 | 4,2 | 3,0 | | | | | | |

SELECTION TABLE FKV 80

| MODEL | Q | | | | | | | | | | | | | | | | |
|------------------------|---------|------|------|------|------|------|------|------|------|------|------|------|------|------|-------|------|--|
| | 0 | 7,2 | 14,4 | 21,6 | 28,8 | 36 | 43,2 | 50,4 | 57,6 | 64,8 | 72 | 79,2 | 86,4 | 93,6 | 100,8 | 108 | |
| | Q=l/min | | | | | | | | | | | | | | | | |
| | 0 | 120 | 240 | 360 | 480 | 600 | 720 | 840 | 960 | 1080 | 1200 | 1320 | 1440 | 1560 | 1680 | 1800 | |
| FKV 80 11.4 T5 400D | 7,0 | 6,7 | 6,1 | 5,3 | 4,5 | 3,6 | 2,7 | 1,9 | 1,3 | | | | | | | | |
| FKV 80 15.4 T5 400D | 9,5 | 9,3 | 8,9 | 8,1 | 7,2 | 6,1 | 5,0 | 3,9 | 3,0 | 2,3 | 1,9 | | | | | | |
| FKV 80 22.4 T5 400D | 11,8 | 11,6 | 11,3 | 10,8 | 10,0 | 9,1 | 8,0 | 6,9 | 5,8 | 4,7 | 3,7 | 2,8 | | | | | |
| FKV 80 40.4 T5 400D | 17,5 | 17,1 | 16,5 | 15,7 | 14,9 | 14,0 | 13,1 | 12,1 | 11,1 | 10,0 | 9,0 | 8,1 | 7,1 | | | | |
| FKV 80 40.2 T5 400D | 22,1 | 21,1 | 19,5 | 17,3 | 14,9 | 12,2 | 9,7 | 7,3 | 5,2 | 3,7 | 2,9 | | | | | | |
| FKV 80 60.2 T5 400Y/D | 29,1 | 28,4 | 27,0 | 25,1 | 22,8 | 20,3 | 17,6 | 14,8 | 12,2 | 9,8 | 7,3 | 5,5 | | | | | |
| FKV 80 75.2 T5 400Y/D | 32,1 | 31,8 | 30,8 | 29,1 | 27,0 | 24,5 | 21,8 | 18,9 | 16,0 | 13,2 | 10,6 | 8,4 | 6,6 | 5,4 | | | |
| FKV 80 92.2 T5 400Y/D | 36,2 | 35,9 | 35,1 | 33,7 | 31,7 | 29,2 | 26,4 | 23,4 | 20,3 | 17,3 | 14,3 | 11,7 | 9,5 | 7,7 | 6,6 | | |
| FKV 80 110.2 T5 400Y/D | 41,2 | 41,0 | 40,5 | 39,2 | 37,4 | 35,2 | 32,6 | 29,7 | 26,6 | 23,5 | 20,3 | 17,3 | 14,6 | 12,1 | 10,0 | 8,5 | |

FK RANGE

SUBMERSIBLE PUMPS FOR SEWAGE

SELECTION TABLE FKV 100

| MODEL | Q=m ³ /h | 0,0 | 14,4 | 28,8 | 43,2 | 57,6 | 72,0 | 86,4 | 100,8 | 115,2 | 129,6 | 144,0 |
|------------------------|---------------------|------|------|------|------|------|------|------|-------|-------|-------|-------|
| | Q=l/min | 0,0 | 240 | 480 | 720 | 960 | 1200 | 1440 | 1680 | 1920 | 2160 | 2400 |
| FKV 100 30.4 T5 400D | H (m) | 11,8 | 10,9 | 9,7 | 8,2 | 6,5 | 4,9 | 3,4 | 2,3 | | | |
| FKV 100 40.4 T5 400D | | 14,0 | 13,2 | 12,0 | 10,6 | 9,0 | 7,4 | 5,8 | 4,3 | 3,1 | | |
| FKV 100 55.4 T5 400Y/D | | 15,9 | 15,6 | 14,9 | 13,8 | 12,6 | 11,1 | 9,6 | 8,0 | 6,5 | 5,0 | |
| FKV 100 75.4 T5 400Y/D | | 19,0 | 18,8 | 18,3 | 17,5 | 16,5 | 15,2 | 13,9 | 12,4 | 10,8 | 9,2 | 7,7 |

SELECTION TABLE FKC 65

| MODEL | Q=m ³ /h | 0 | 7,2 | 14,4 | 21,6 | 28,8 | 36 | 43,2 | 50,4 | 57,6 | 64,8 | 72 | 79,2 | 86,4 | 93,6 | 100,8 | 108 |
|---------------------|---------------------|------|------|------|------|------|------|------|------|------|------|------|------|------|------|-------|------|
| | Q=l/min | 0 | 120 | 240 | 360 | 480 | 600 | 720 | 840 | 960 | 1080 | 1200 | 1320 | 1440 | 1560 | 1680 | 1800 |
| FKC 65 22.2 T5 400D | H (m) | 20,0 | 17,8 | 17,8 | 15,9 | 14,3 | 12,8 | 11,6 | 10,4 | 9,3 | 8,3 | 7,2 | 6,1 | 4,9 | 3,6 | | |
| FKC 65 30.2 T5 400D | | 26,5 | 23,5 | 23,5 | 20,9 | 18,6 | 16,7 | 15,1 | 13,7 | 12,4 | 11,2 | 10,1 | 9,0 | 7,8 | 6,5 | 5,1 | 3,4 |

SELECTION TABLE FKC 80

| MODEL | Q=m ³ /h | 0 | 14 | 29 | 43 | 58 | 72 | 86 | 101 | 115 | 130 | 144 | 158 | 173 | 187 | 202 |
|-----------------------|---------------------|------|------|------|------|------|------|------|------|------|------|------|------|------|------|------|
| | Q=l/min | 0 | 240 | 480 | 720 | 960 | 1200 | 1440 | 1680 | 1920 | 2160 | 2400 | 2640 | 2880 | 3120 | 3360 |
| FKC 80 15.4 T5 400D | H (m) | 8,9 | 7,9 | 6,9 | 6,1 | 5,3 | 4,5 | 3,6 | 2,8 | 1,9 | | | | | | |
| FKC 80 22.4 T5 400D | | 13,9 | 12,0 | 10,5 | 9,2 | 8,0 | 7,0 | 6,0 | 5,0 | 3,9 | 2,6 | | | | | |
| FKC 80 30.4 T5 400D | | 13,9 | 12,4 | 11,1 | 10,0 | 9,0 | 8,1 | 7,2 | 6,4 | 5,4 | 4,4 | 3,3 | | | | |
| FKC 80 40.4 T5 400D | | 17,4 | 15,7 | 14,3 | 13,0 | 11,9 | 10,9 | 10,0 | 9,2 | 8,3 | 7,4 | 6,4 | 5,3 | | | |
| FKC 80 55.4 T5 400Y/D | | 20,8 | 19,1 | 17,6 | 16,2 | 14,9 | 13,7 | 12,7 | 11,6 | 10,6 | 9,7 | 8,7 | 7,6 | 6,6 | 5,4 | |
| FKC 80 75.4 T5 400Y/D | | 24,6 | 22,8 | 21,2 | 19,7 | 18,3 | 17,1 | 15,8 | 14,7 | 13,6 | 12,6 | 11,6 | 10,6 | 9,6 | 8,7 | 7,7 |

SELECTION TABLE FKC 100

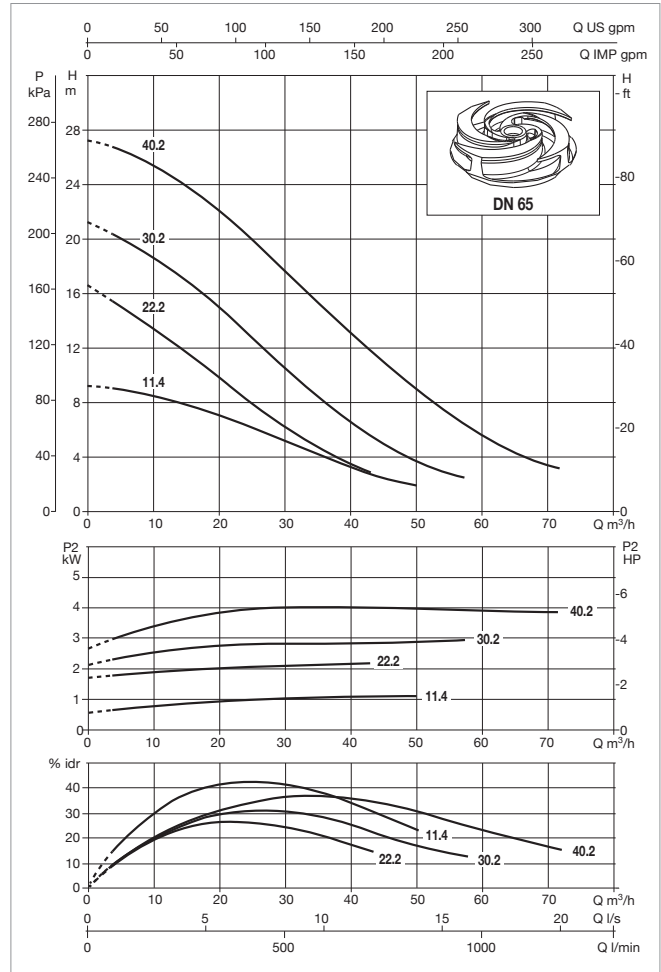
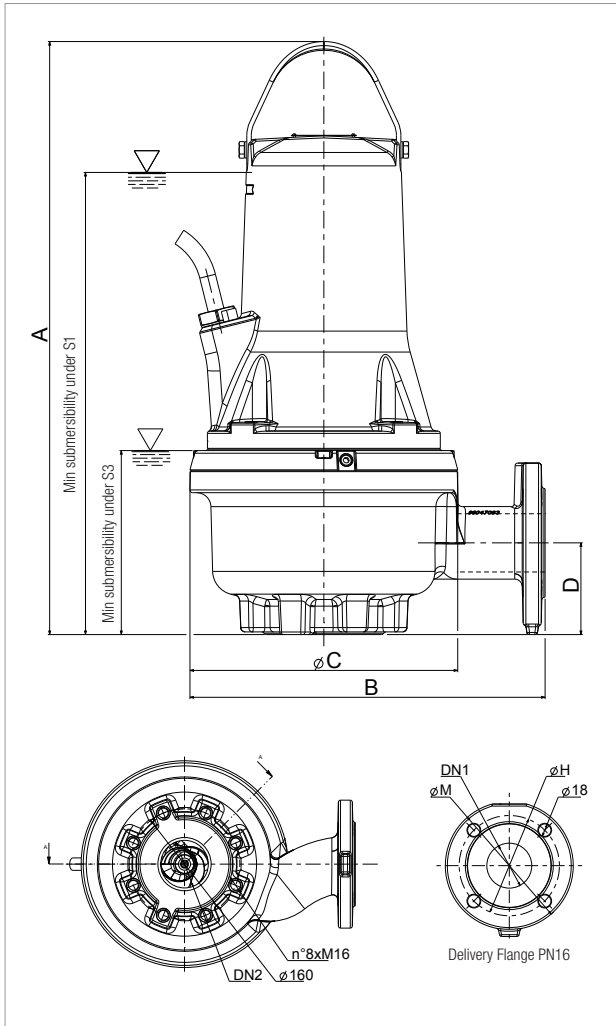
| MODEL | Q=m ³ /h | 0 | 22 | 43 | 65 | 86 | 108 | 130 | 151 | 173 | 194 | 216 | 238 | 259 | 281 | 302 |
|------------------------|---------------------|------|------|------|------|------|------|------|------|------|------|------|------|------|------|------|
| | Q=l/min | 0 | 360 | 720 | 1080 | 1440 | 1800 | 2160 | 2520 | 2880 | 3240 | 3600 | 3960 | 4320 | 4680 | 5040 |
| FKC 100 15.4 T5 400D | H (m) | 8,9 | 7,3 | 6,0 | 4,7 | 3,5 | 2,2 | | | | | | | | | |
| FKC 100 22.4 T5 400D | | 14,1 | 11,5 | 9,5 | 7,8 | 6,3 | 4,8 | 3,1 | | | | | | | | |
| FKC 100 30.4 T5 400D | | 9,8 | 9,2 | 8,5 | 7,8 | 6,9 | 6,0 | 5,1 | 4,2 | 3,3 | 2,4 | | | | | |
| FKC 100 40.4 T5 400D | | 13,1 | 11,8 | 10,7 | 9,5 | 8,5 | 7,4 | 6,4 | 5,4 | 4,4 | 3,3 | | | | | |
| FKC 100 55.4 T5 400Y/D | | 17,4 | 15,7 | 14,1 | 12,7 | 11,5 | 10,3 | 9,3 | 8,2 | 7,1 | 6,0 | 4,9 | 3,5 | 2,1 | | |
| FKC 100 75.4 T5 400Y/D | | 22,5 | 20,7 | 19,0 | 17,5 | 16,0 | 14,6 | 13,2 | 11,9 | 10,6 | 9,3 | 8,1 | 6,8 | 5,4 | 4,1 | |

SELECTION TABLE FKC 150

| MODEL | Q=m ³ /h | 0 | 22 | 43 | 65 | 86 | 108 | 130 | 151 | 173 | 194 | 216 | 238 | 259 | 281 | 302 |
|------------------------|---------------------|------|------|------|------|------|------|------|------|------|------|------|------|------|------|------|
| | Q=l/min | 0 | 360 | 720 | 1080 | 1440 | 1800 | 2160 | 2520 | 2880 | 3240 | 3600 | 3960 | 4320 | 4680 | 5040 |
| FKC 150 30.4 T5 400D | H (m) | 9,7 | 9,1 | 8,5 | 7,8 | 7,1 | 6,3 | 5,5 | 4,7 | 3,8 | 3,0 | 2,1 | | | | |
| FKC 150 40.4 T5 400D | | 12,4 | 11,5 | 10,6 | 9,7 | 8,8 | 7,9 | 7,0 | 6,1 | 5,2 | 4,2 | 3,2 | 2,2 | | | |
| FKC 150 55.4 T5 400Y/D | | 16,0 | 14,8 | 13,7 | 12,5 | 11,4 | 10,3 | 9,2 | 8,2 | 7,1 | 6,1 | 5,1 | 4,2 | 3,2 | 2,3 | |
| FKC 150 75.4 T5 400Y/D | | 20,9 | 19,2 | 17,7 | 16,3 | 15,0 | 13,8 | 12,6 | 11,6 | 10,5 | 9,5 | 8,6 | 7,6 | 6,6 | 5,5 | 4,4 |

FKV 65 - 2/4 POLES - SUBMERSIBLE PUMPS FOR SEWAGE

Fluid temperature range: from 0° to +40°C. For higher temperature please contact our sale offices.



The performance curves are based on kinematic viscosity values = 1 mm²/s and density equal to 1000 kg/m³. Curve tolerance according to ISO 9906.

| MODEL | ELECTRICAL DATA | | | | | | | | | | |
|---------------------|------------------------|----------|------------|-----|---------|---------|----------|-------------------------|------------------------|----------|----------------|
| | RATED VOLTAGE 50 Hz | P1 kW | P2 NOMINAL | | In A | Is A | η% MOTOR | % S3 * EMERGED MOTOR | RATED SPEED rpm/min | STARTING | CABLE |
| | | | kW | HP | | | | | | | |
| FKV 65 11.4 T5 400D | 3 x 400V~ | 1,3 | 1,1 | 1,5 | 3,3 | 9,9 | 85,0% | 100% S1 | 1450 | DOL | 10mt 4G1.5+3x1 |
| FKV 65 22.2 T5 400D | 3 x 400V~ | 2,5 | 2,2 | 3,0 | 4,8 | 19,1 | 87,5% | 100% S1 | 2900 | DOL | 10mt 4G1.5+3x1 |
| FKV 65 30.2 T5 400D | 3 x 400V~ | 3,3 | 3,0 | 4,0 | 5,7 | 19,1 | 87,7% | 100% S1 | 2900 | DOL | 10mt 4G1.5+3x1 |
| FKV 65 40.2 T5 400D | 3 x 400V~ | 4,6 | 4,0 | 5,5 | 7,5 | 27,0 | 89,1% | 100% S1 | 2900 | DOL | 10mt 4G1.5+3x1 |

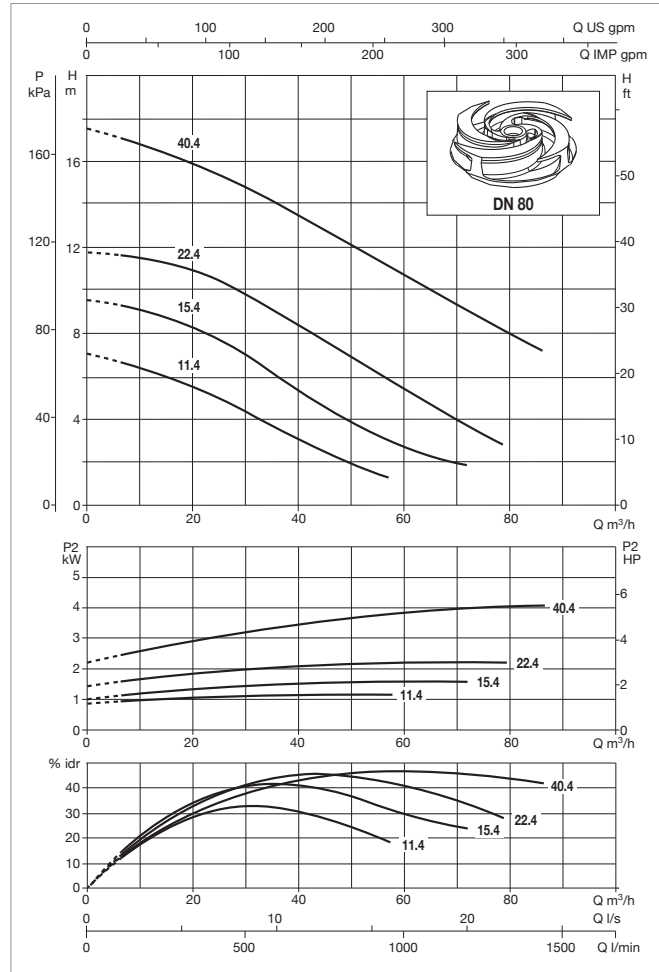
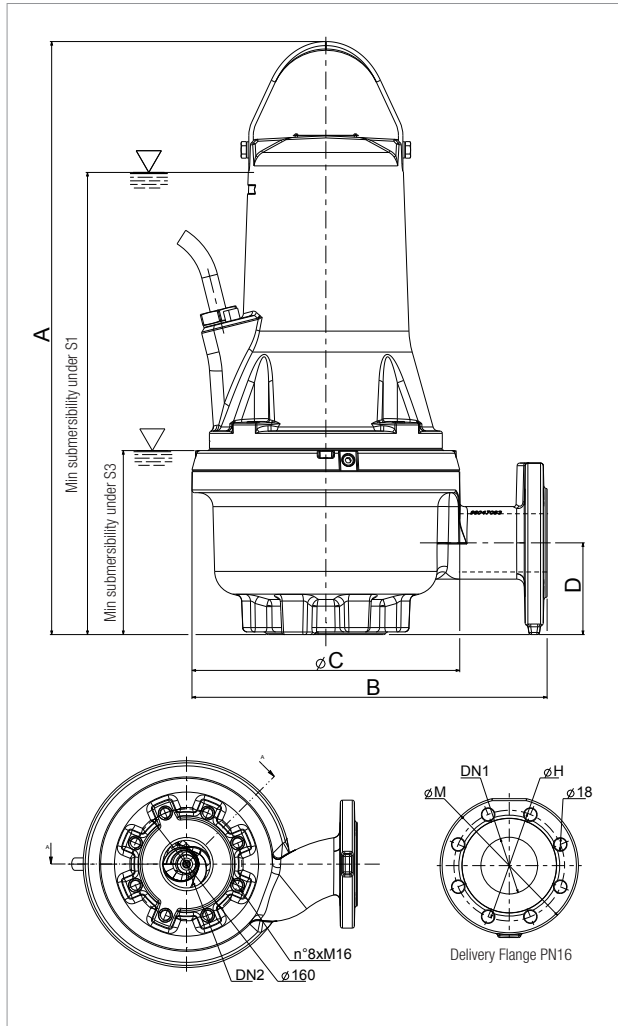
Models available in explosion proof version. ATEX: II2G Ex db k IIB T4 or IECEx: Ex db IIB T4 Gb. Only with pump completely submerged.

* %S3 indicates the percentage of duty in a cycle from 10 up to 60 minutes; 100% S1 means continuous duty.

| MODEL | SOLIDS HANDLING | A | B | C | D | S1 | S3 | DN2 | FLANGE DIMENSION EN 1092-1 PN16 | | | | PACKAGING DIMENSION | | | WEIGHT Kg |
|---------------------|--------------------|-----|-----|-----|-----|-----|-----|-----|---------------------------------|-----|-----|----------|---------------------|-----|-----|--------------|
| | | | | | | | | | DN1 | M | H | N° HOLES | L/A | L/B | H | |
| FKV 65 11.4 T5 400D | 55 | 662 | 396 | 300 | 102 | 515 | 206 | 65 | 65 | 185 | 145 | 4 | 830 | 430 | 603 | 94 |
| FKV 65 22.2 T5 400D | 65 | 662 | 396 | 300 | 102 | 515 | 206 | 65 | 65 | 185 | 145 | 4 | 830 | 430 | 603 | 94 |
| FKV 65 30.2 T5 400D | 65 | 662 | 396 | 300 | 102 | 515 | 206 | 65 | 65 | 185 | 145 | 4 | 830 | 430 | 603 | 94 |
| FKV 65 40.2 T5 400D | 65 | 720 | 456 | 360 | 106 | 585 | 245 | 65 | 65 | 185 | 145 | 4 | 1030 | 530 | 668 | 143 |

FKV 80 - 4 POLES - SUBMERSIBLE PUMPS FOR SEWAGE

Fluid temperature range: from 0° to +40°C. For higher temperature please contact our sale offices.



The performance curves are based on kinematic viscosity values = 1 mm²/s and density equal to 1000 kg/m³. Curve tolerance according to ISO 9906.

| MODEL | ELECTRICAL DATA | | | | | | | | | | |
|---------------------|------------------------|----------|------------|-----|---------|---------|----------|-------------------------|------------------------|----------|----------------|
| | RATED VOLTAGE 50 Hz | P1 kW | P2 NOMINAL | | In A | Is A | η% MOTOR | % S3 * EMERGED MOTOR | RATED SPEED rpm/min | STARTING | CABLE |
| | | | kW | HP | | | | | | | |
| FKV 80 11.4 T5 400D | 3 x 400V~ | 1,3 | 1,1 | 1,5 | 3,5 | 11,4 | 85,2% | 100% S1 | 1450 | DOL | 10mt 4G1.5+3x1 |
| FKV 80 15.4 T5 400D | 3 x 400V~ | 1,8 | 1,5 | 2,0 | 3,8 | 11,4 | 87,2% | 100% S1 | 1450 | DOL | 10mt 4G1.5+3x1 |
| FKV 80 22.4 T5 400D | 3 x 400V~ | 2,5 | 2,2 | 3,0 | 4,7 | 11,4 | 87,8% | 100% S1 | 1450 | DOL | 10mt 4G1.5+3x1 |
| FKV 80 40.4 T5 400D | 3 x 400V~ | 4,5 | 4,0 | 5,5 | 8,6 | 20,0 | 88,8% | 100% S1 | 1450 | DOL | 10mt 4G1.5+3x1 |

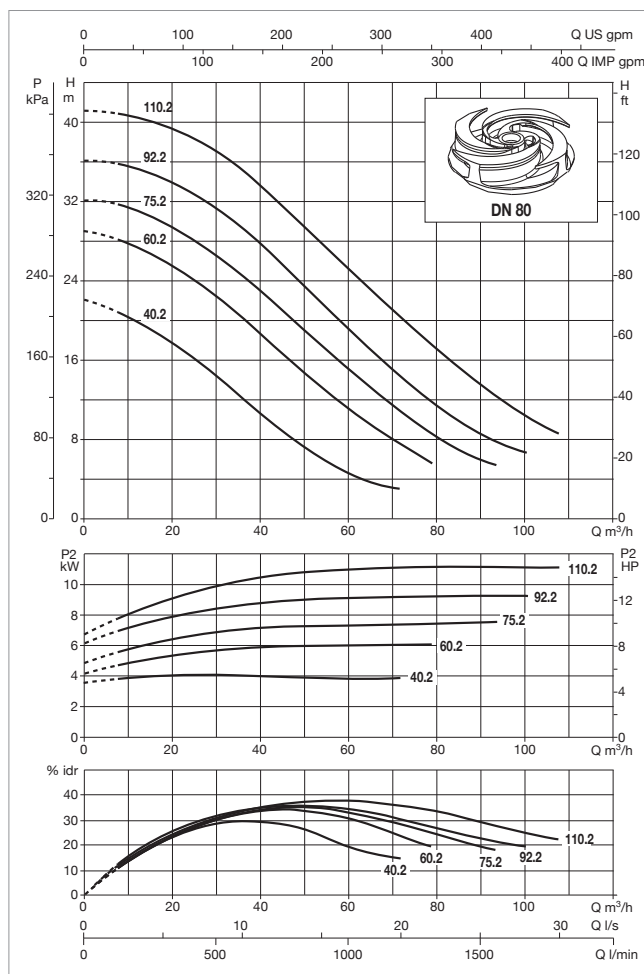
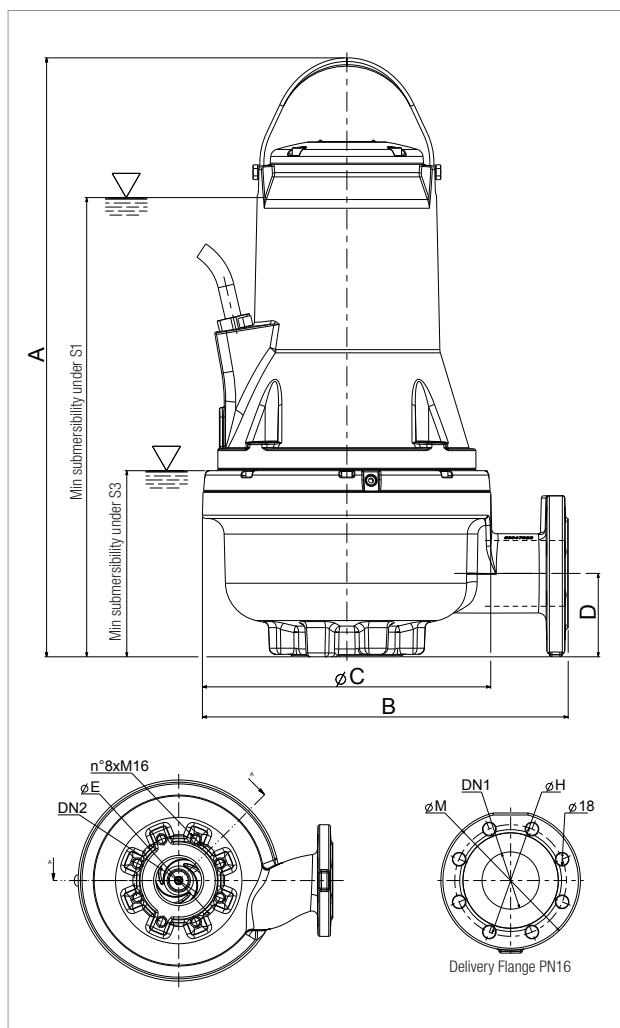
Models available in explosion proof version. ATEX: II2G Ex db k IIB T4 or IECEx: Ex db IIB T4 Gb. Only with pump completely submerged.

* %S3 indicates the percentage of duty in a cycle from 10 up to 60 minutes; 100% S1 means continuous duty.

| MODEL | SOLIDS HANDLING | A | B | C | D | S1 | S3 | DN2 | FLANGE DIMENSION EN 1092-1 PN16 | | | | PACKAGING DIMENSION | | | WEIGHT Kg |
|---------------------|--------------------|-----|-----|-----|-----|-----|-----|-----|---------------------------------|-----|-----|----------|---------------------|-----|-----|--------------|
| | | | | | | | | | DN1 | M | H | N° HOLES | L/A | L/B | H | |
| FKV 80 11.4 T5 400D | 80 | 686 | 409 | 336 | 109 | 540 | 230 | 80 | 80 | 200 | 160 | 8 | 830 | 430 | 603 | 103 |
| FKV 80 15.4 T5 400D | 80 | 686 | 409 | 336 | 109 | 540 | 230 | 80 | 80 | 200 | 160 | 8 | 830 | 430 | 603 | 103 |
| FKV 80 22.4 T5 400D | 80 | 686 | 409 | 336 | 109 | 540 | 230 | 80 | 80 | 200 | 160 | 8 | 830 | 430 | 603 | 104 |
| FKV 80 40.4 T5 400D | 80 | 749 | 460 | 386 | 109 | 575 | 235 | 80 | 80 | 200 | 160 | 8 | 1030 | 530 | 668 | 172 |

FKV 80 - 2 POLES - SUBMERSIBLE PUMPS FOR SEWAGE

Fluid temperature range: from 0° to +40°C. For higher temperature please contact our sale offices.



The performance curves are based on kinematic viscosity values = 1 mm²/s and density equal to 1000 kg/m³. Curve tolerance according to ISO 9906.

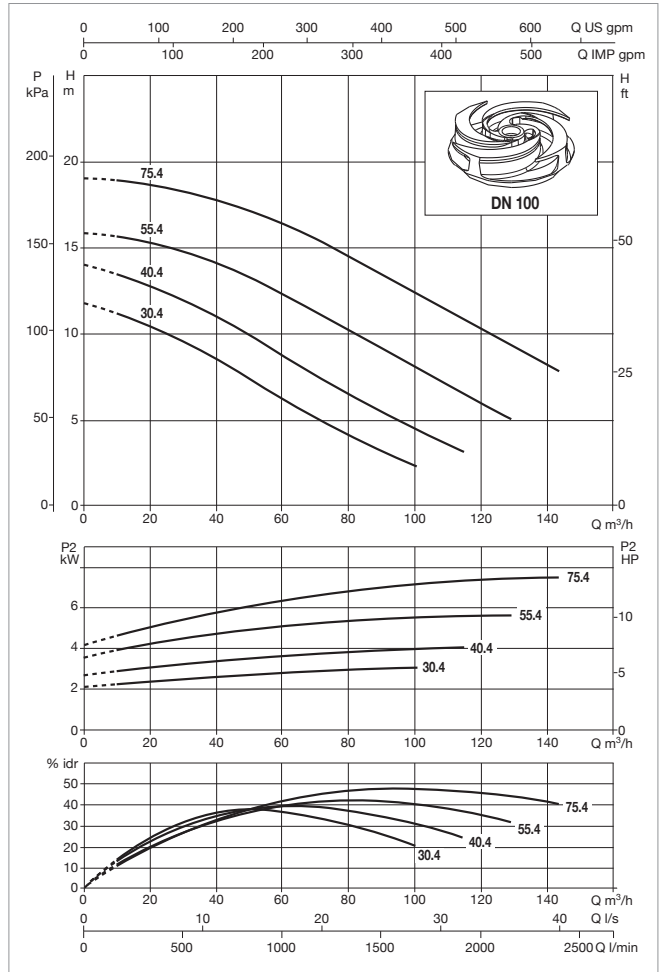
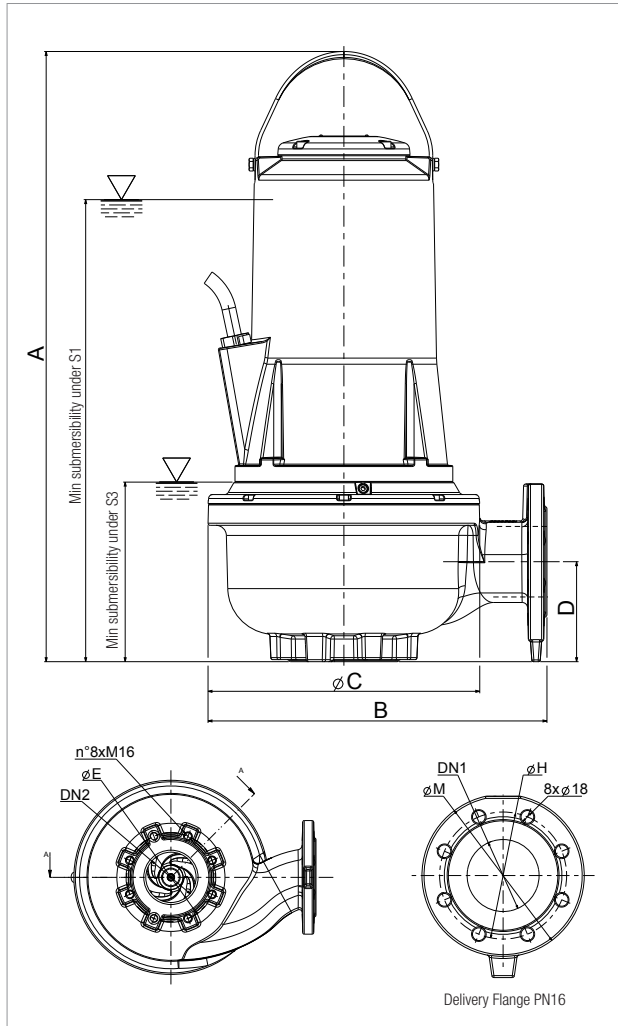
| MODEL | ELECTRICAL DATA | | | | | | | | | | |
|------------------------|------------------------|----------|------------|------|---------|---------|----------------|-------------------------|------------------------|----------|----------------|
| | RATED VOLTAGE 50 Hz | P1 kW | P2 NOMINAL | | In A | Is A | η % MOTOR | % S3 * EMERGED MOTOR | RATED SPEED rpm/min | STARTING | CABLE |
| | | | kW | HP | | | | | | | |
| FKV 80 40.2 T5 400D | 3 x 400V~ | 4,6 | 4,0 | 5,5 | 7,7 | 27,0 | 88,2% | 100% S1 | 2900 | DOL | 10mt 4G1,5+3x1 |
| FKV 80 60.2 T5 400Y/D | 3 x 400V~ | 6,9 | 6,0 | 8,2 | 11,7 | 43,5 | 88,0% | 45% | 2900 | Y/Δ | 10mt 7G2,5+3x1 |
| FKV 80 75.2 T5 400Y/D | 3 x 400V~ | 8,3 | 7,5 | 10,2 | 13,7 | 41,2 | 90,7% | 40% | 2900 | Y/Δ | 10mt 7G2,5+3x1 |
| FKV 80 92.2 T5 400Y/D | 3 x 400V~ | 10,2 | 9,2 | 12,5 | 18,0 | 119,0 | 90,8% | 45% | 2900 | Y/Δ | 10mt 7G2,5+3x1 |
| FKV 80 110.2 T5 400Y/D | 3 x 400V~ | 12,1 | 11,0 | 15,0 | 21,0 | 121,0 | 91,2% | 40% | 2900 | Y/Δ | 10mt 7G2,5+3x1 |

Models available in explosion proof version. ATEX: II2G Ex db k IIB T4 or IECEx: Ex db IIB T4 Gb. Only with pump completely submerged.
* %S3 indicates the percentage of duty in a cycle from 10 up to 60 minutes; 100% S1 means continuous duty.

| MODEL | SOLIDS HANDLING | A | B | C | D | S1 | S3 | DN2 | FLANGE DIMENSION EN 1092-1 PN16 | | | | PACKAGING DIMENSION | | | WEIGHT Kg |
|------------------------|--------------------|-----|-----|-----|-----|-----|-----|-----|---------------------------------|-----|-----|----------|---------------------|-----|-----|--------------|
| | | | | | | | | | DN1 | M | H | N° HOLES | L/A | L/B | H | |
| FKV 80 40.2 T5 400D | 80 | 747 | 456 | 360 | 104 | 575 | 235 | 80 | 80 | 200 | 160 | 8 | 1030 | 530 | 668 | 148 |
| FKV 80 60.2 T5 400Y/D | 80 | 747 | 456 | 360 | 104 | 575 | 235 | 80 | 80 | 200 | 160 | 8 | 1030 | 530 | 668 | 152 |
| FKV 80 75.2 T5 400Y/D | 80 | 747 | 456 | 360 | 104 | 575 | 235 | 80 | 80 | 200 | 160 | 8 | 1030 | 530 | 668 | 152 |
| FKV 80 92.2 T5 400Y/D | 80 | 863 | 488 | 390 | 123 | 650 | 240 | 80 | 80 | 200 | 160 | 8 | 1030 | 530 | 668 | 202 |
| FKV 80 110.2 T5 400Y/D | 80 | 863 | 488 | 390 | 123 | 650 | 240 | 80 | 80 | 200 | 160 | 8 | 1030 | 530 | 668 | 202 |

FKV 100 - 4 POLES - SUBMERSIBLE PUMPS FOR SEWAGE

Fluid temperature range: from 0° to +40°C. For higher temperature please contact our sale offices.



The performance curves are based on kinematic viscosity values = 1 mm²/s and density equal to 1000 kg/m³. Curve tolerance according to ISO 9906.

| MODEL | ELECTRICAL DATA | | | | | | | | | | |
|------------------------|------------------------|----------|------------|------|---------|---------|----------|-------------------------|------------------------|----------|----------------|
| | RATED VOLTAGE 50 Hz | P1 kW | P2 NOMINAL | | In A | Is A | η% MOTOR | % S3 * EMERGED MOTOR | RATED SPEED rpm/min | STARTING | CABLE |
| | | | kW | HP | | | | | | | |
| FKV 100 30.4 T5 400D | 3 x 400 V~ | 3,5 | 3,0 | 4,0 | 8,0 | 24,7 | 87,8% | 100% S1 | 1450 | DOL | 10mt 4G1.5+3x1 |
| FKV 100 40.4 T5 400D | 3 x 400 V~ | 4,5 | 4,0 | 5,5 | 8,9 | 20,0 | 88,8% | 100% S1 | 1450 | DOL | 10mt 4G1.5+3x1 |
| FKV 100 55.4 T5 400Y/D | 3 x 400 V~ | 6,2 | 5,5 | 7,5 | 11,3 | 50,3 | 90,8% | 80% | 1450 | Y/Δ | 10mt 7G2.5+3x1 |
| FKV 100 75.4 T5 400Y/D | 3 x 400 V~ | 8,3 | 7,5 | 10,0 | 14,3 | 44,5 | 90,6% | 60% | 1450 | Y/Δ | 10mt 7G2.5+3x1 |

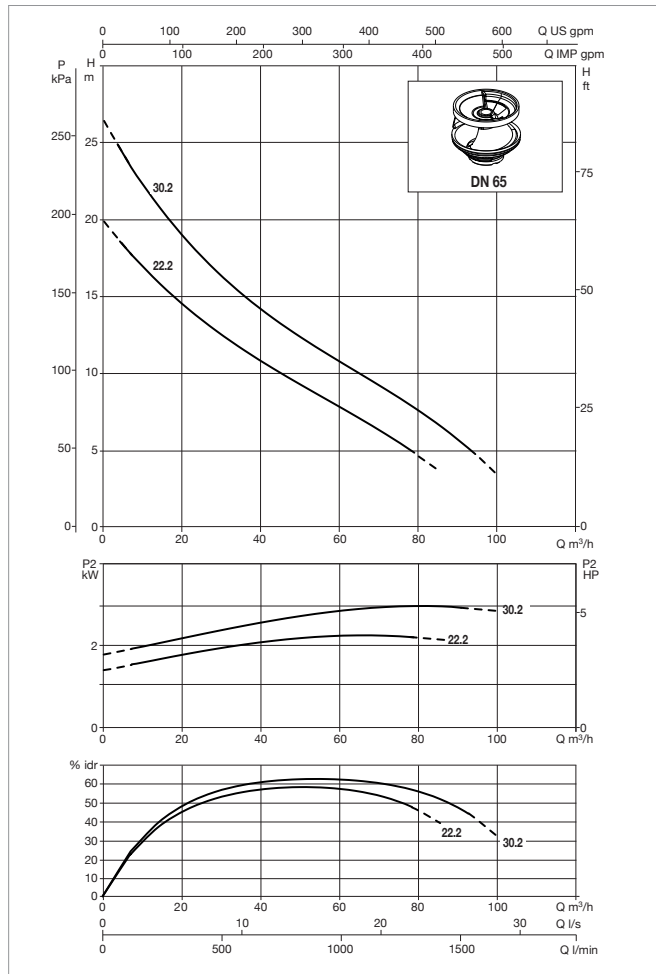
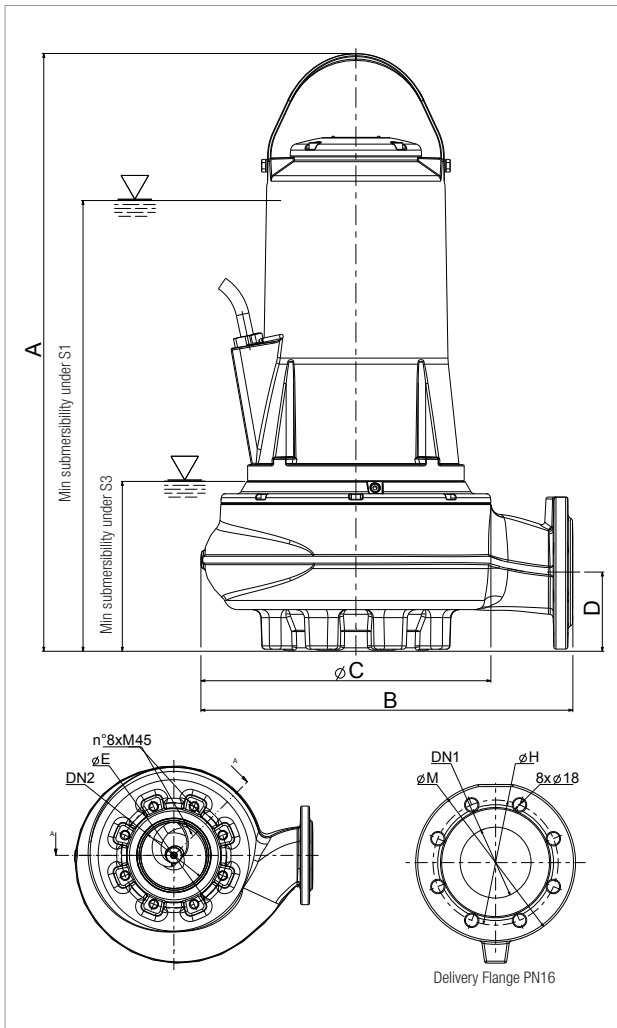
Models available in explosion proof version. ATEX: II2G Ex db k IIB T4 or IECEx: Ex db IIB T4 Gb. Only with pump completely submerged.

* %S3 indicates the percentage of duty in a cycle from 10 up to 60 minutes; 100% S1 means continuous duty.

| MODEL | SOLIDS HANDLING | A | B | C | D | S1 | S3 | DN2 | FLANGE DIMENSION EN 1092-1 PN16 | | | | PACKAGING DIMENSION | | | WEIGHT Kg |
|------------------------|--------------------|-----|-----|-----|-----|-----|-----|-----|---------------------------------|-----|-----|----------|---------------------|-----|-----|--------------|
| | | | | | | | | | DN1 | M | H | N° HOLES | L/A | L/B | H | |
| FKV 100 30.4 T5 400D | 100 | 760 | 457 | 360 | 134 | 585 | 245 | 100 | 100 | 230 | 180 | 8 | 1030 | 530 | 668 | 166 |
| FKV 100 40.4 T5 400D | 100 | 760 | 457 | 360 | 134 | 585 | 245 | 100 | 100 | 230 | 180 | 8 | 1030 | 530 | 668 | 166 |
| FKV 100 55.4 T5 400Y/D | 100 | 883 | 490 | 390 | 123 | 670 | 230 | 100 | 100 | 230 | 180 | 8 | 1030 | 530 | 668 | 220 |
| FKV 100 75.4 T5 400Y/D | 100 | 883 | 490 | 390 | 123 | 670 | 230 | 100 | 100 | 230 | 180 | 8 | 1030 | 530 | 668 | 220 |

FKC 65 - 2 POLES - SUBMERSIBLE PUMPS FOR SEWAGE

Fluid temperature range: from 0° to +40°C. For higher temperature please contact our sale offices.



The performance curves are based on kinematic viscosity values = 1 mm²/s and density equal to 1000 kg/m³. Curve tolerance according to ISO 9906.

| MODEL | ELECTRICAL DATA | | | | | | | | | | |
|----------------------------|------------------------|----------|------------|-----|---------|---------|----------|-------------------------|------------------------|----------|----------------|
| | RATED VOLTAGE 50 Hz | P1 kW | P2 NOMINAL | | In A | Is A | η% MOTOR | % S3 * EMERGED MOTOR | RATED SPEED rpm/min | STARTING | CABLE |
| | | | kW | HP | | | | | | | |
| FKC 65 22.2 T5 400D | 3 x 400V~ | 2,6 | 2,2 | 3,0 | 4,8 | 19,1 | 87,3% | 100% S1 | 2900 | DOL | 10mt 4G1.5+3x1 |
| FKC 65 30.2 T5 400D | 3 x 400V~ | 3,4 | 3,0 | 4,0 | 5,8 | 19,1 | 87,8% | 100% S1 | 2900 | DOL | 10mt 4G1.5+3x1 |

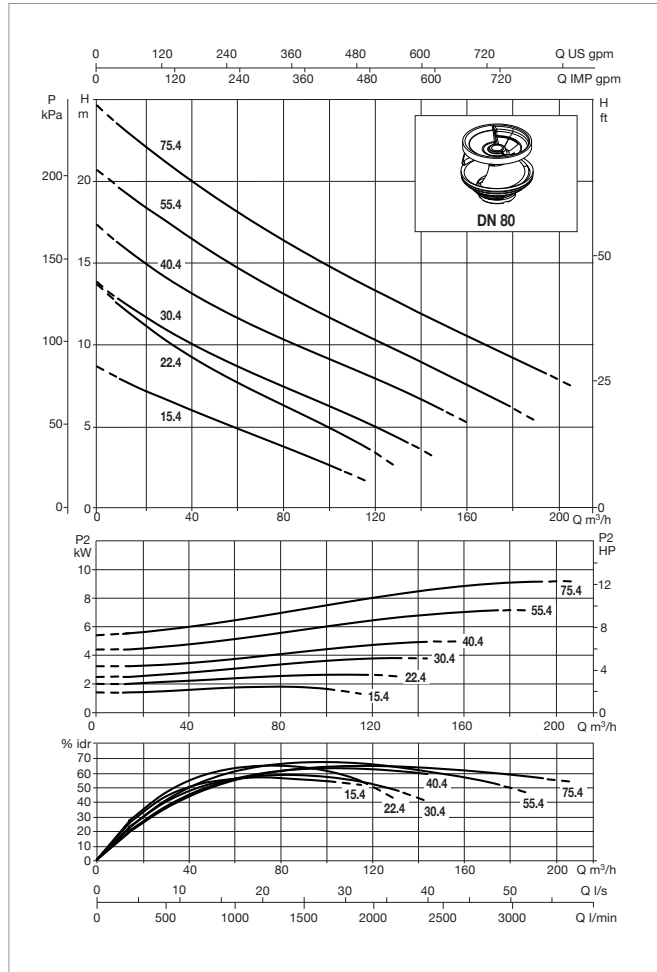
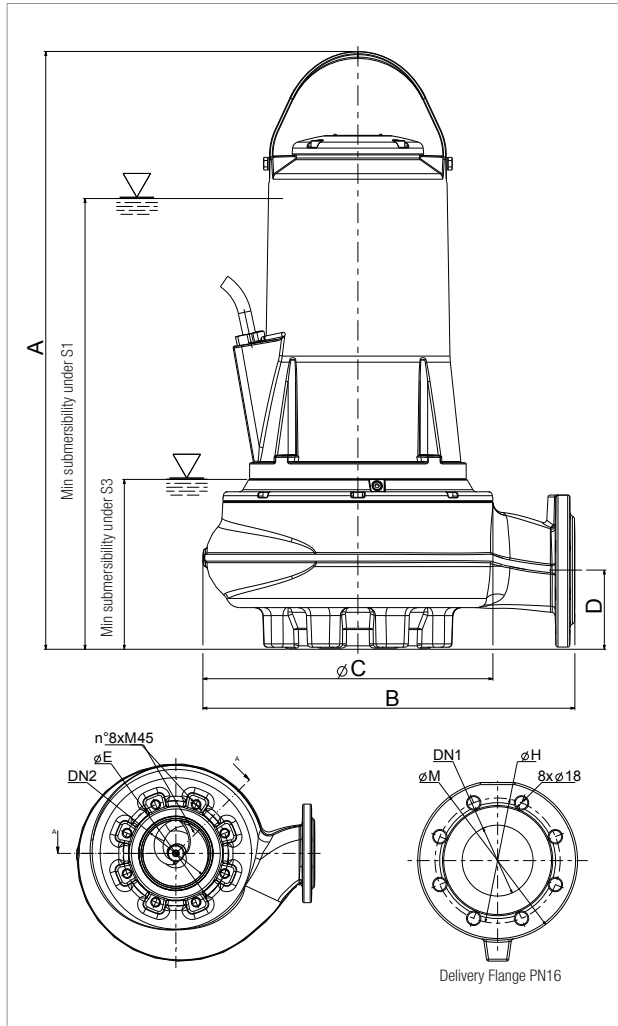
Models available in explosion proof version. ATEX: II2G Ex db k IIB T4 or IECEx: Ex db IIB T4 Gb. Only with pump completely submerged.

* %S3 indicates the percentage of duty in a cycle from 10 up to 60 minutes; 100% S1 means continuous duty.

| MODEL | SOLIDS HANDLING | A | B | C | D | S1 | S3 | DN2 | FLANGE DIMENSION EN 1092-1 PN16 | | | | PACKAGING DIMENSION | | | WEIGHT Kg |
|----------------------------|--------------------|-----|-----|-----|----|-----|-----|-----|---------------------------------|-----|-----|----------|---------------------|-----|-----|--------------|
| | | | | | | | | | DN1 | M | H | N° HOLES | L/A | L/B | H | |
| FKC 65 22.2 T5 400D | 50 | 645 | 365 | 300 | 91 | 494 | 188 | 65 | 65 | 185 | 145 | 4 | 830 | 430 | 603 | 109 |
| FKC 65 30.2 T5 400D | 50 | 645 | 365 | 300 | 91 | 494 | 188 | 65 | 65 | 185 | 145 | 4 | 830 | 430 | 603 | 109 |

FKC 80 - 4 POLES - SUBMERSIBLE PUMPS FOR SEWAGE

Fluid temperature range: from 0° to +40°C. For higher temperature please contact our sale offices.



The performance curves are based on kinematic viscosity values = 1 mm²/s and density equal to 1000 kg/m³. Curve tolerance according to ISO 9906.

| MODEL | RATED VOLTAGE 50 Hz | P1 kW | P2 NOMINAL | | I _n A | I _s A | η% MOTOR | % S3 * EMERGED MOTOR | RATED SPEED rpm/min | STARTING | CABLE |
|-----------------------|------------------------|----------|------------|------|---------------------|---------------------|----------|-------------------------|------------------------|----------|----------------|
| | | | kW | HP | | | | | | | |
| FKC 80 15.4 T5 400D | 3x 400V~ | 1,8 | 1,5 | 2,0 | 3,5 | 11,4 | 87,2% | 100% S1 | 1450 | DOL | 10mt 4G1.5+3x1 |
| FKC 80 22.4 T5 400D | 3x 400V~ | 2,6 | 2,2 | 3,0 | 4,7 | 11,4 | 87,3% | 100% S1 | 1450 | DOL | 10mt 4G1.5+3x1 |
| FKC 80 30.4 T5 400D | 3x 400V~ | 3,6 | 3,0 | 4,0 | 7,6 | 24,7 | 87,9% | 100% S1 | 1450 | DOL | 10mt 4G1.5+3x1 |
| FKC 80 40.4 T5 400D | 3x 400V~ | 4,7 | 4,0 | 5,5 | 8,9 | 20,0 | 88,6% | 100% S1 | 1450 | DOL | 10mt 4G1.5+3x1 |
| FKC 80 55.4 T5 400Y/D | 3x 400V~ | 6,3 | 5,5 | 7,5 | 8,6 | 50,3 | 89,8% | 80% | 1450 | Y/Δ | 10mt 7G2.5+3x1 |
| FKC 80 75.4 T5 400Y/D | 3x 400V~ | 8,1 | 7,5 | 10,0 | 14,1 | 44,5 | 90,7% | 60% | 1450 | Y/Δ | 10mt 7G2.5+3x1 |

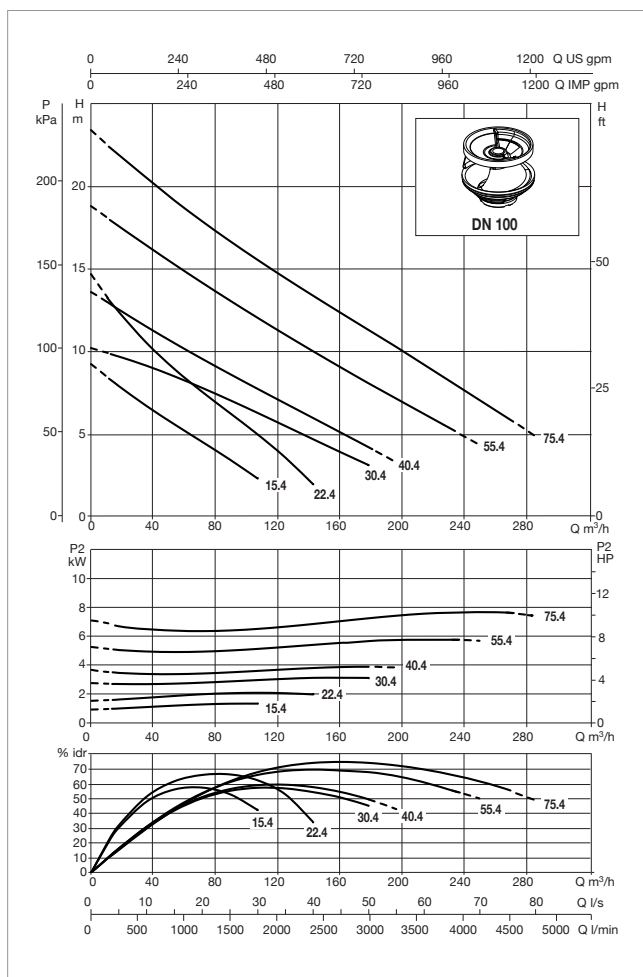
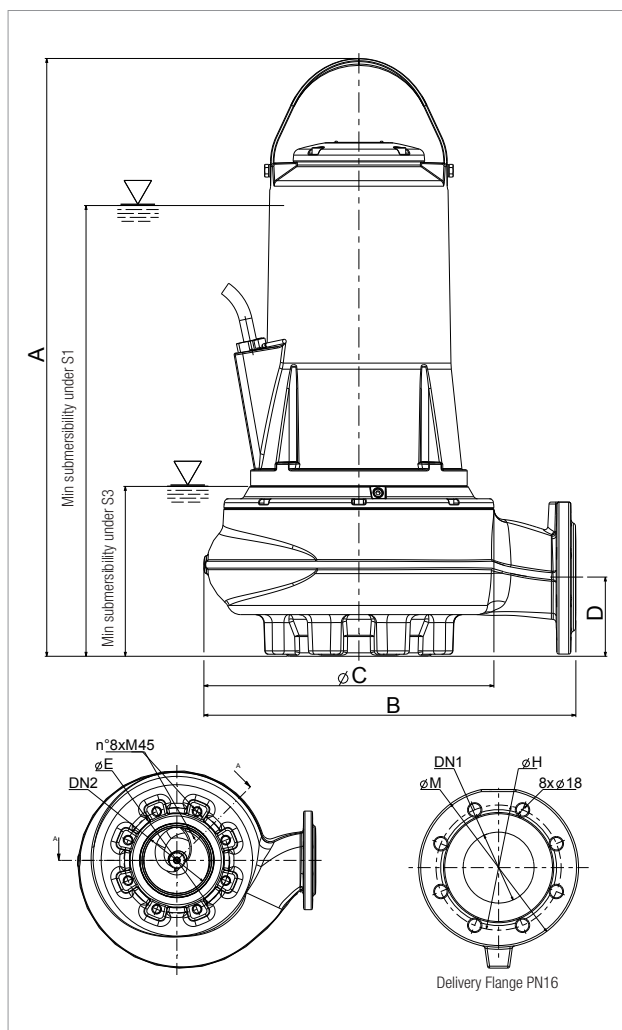
Models available in explosion proof version. ATEX: II2G Ex db k IIB T4 or IECEx: Ex db IIB T4 Gb. Only with pump completely submerged.

* %S3 indicates the percentage of duty in a cycle from 10 up to 60 minutes; 100% S1 means continuous duty.

| MODEL | SOLIDS HANDLING | A | B | C | D | S1 | S3 | DN2 | FLANGE DIMENSION EN 1092-1 PN16 | | | | PACKAGING DIMENSION | | | WEIGHT Kg |
|-----------------------|--------------------|-----|-----|-----|-----|-----|-----|-----|---------------------------------|-----|-----|----------|---------------------|-----|-----|--------------|
| | | | | | | | | | DN1 | M | H | N° HOLES | L/A | L/B | H | |
| FKC 80 15.4 T5 400D | 80 | 665 | 435 | 355 | 100 | 514 | 208 | 100 | 80 | 200 | 160 | 8 | 830 | 430 | 603 | 115 |
| FKC 80 22.4 T5 400D | 80 | 665 | 435 | 355 | 100 | 514 | 208 | 100 | 80 | 200 | 160 | 8 | 830 | 430 | 603 | 115 |
| FKC 80 30.4 T5 400D | 80 | 750 | 506 | 380 | 118 | 548 | 210 | 100 | 80 | 200 | 160 | 8 | 1030 | 530 | 728 | 177 |
| FKC 80 40.4 T5 400D | 80 | 750 | 506 | 380 | 118 | 548 | 210 | 100 | 80 | 200 | 160 | 8 | 1030 | 530 | 728 | 177 |
| FKC 80 55.4 T5 400Y/D | 80 | 860 | 530 | 407 | 118 | 660 | 250 | 100 | 80 | 200 | 160 | 8 | 1030 | 530 | 728 | 231 |
| FKC 80 75.4 T5 400Y/D | 80 | 860 | 530 | 407 | 118 | 660 | 250 | 100 | 80 | 200 | 160 | 8 | 1030 | 530 | 728 | 231 |

FKC 100 - 4 POLES - SUBMERSIBLE PUMPS FOR SEWAGE

Fluid temperature range: from 0° to +40°C. For higher temperature please contact our sale offices.



The performance curves are based on kinematic viscosity values = 1 mm²/s and density equal to 1000 kg/m³. Curve tolerance according to ISO 9906.

| MODEL | RATED VOLTAGE 50 Hz | P1 kW | P2 NOMINAL | | In A | Is A | η MOTOR | % S3 * EMERGED MOTOR | RATED SPEED rpm/min | STARTING | CABLE |
|------------------------|------------------------|----------|------------|------|---------|---------|---------|-------------------------|------------------------|----------|----------------|
| | | | kW | HP | | | | | | | |
| FKC 100 15.4 T5 400D | 3x400V~ | 1,8 | 1,5 | 2,0 | 3,9 | 11,4 | 87,2% | 100% S1 | 1450 | DOL | 10mt 4G1.5+3x1 |
| FKC 100 22.4 T5 400D | 3x400V~ | 2,6 | 2,2 | 3,0 | 4,7 | 11,4 | 87,3% | 100% S1 | 1450 | DOL | 10mt 4G1.5+3x1 |
| FKC 100 30.4 T5 400D | 3x400V~ | 3,7 | 3,0 | 4,0 | 7,7 | 24,7 | 88,0% | 100% S1 | 1450 | DOL | 10mt 4G1.5+3x1 |
| FKC 100 40.4 T5 400D | 3x400V~ | 4,4 | 4,0 | 5,5 | 8,6 | 20,0 | 89,6% | 100% S1 | 1450 | DOL | 10mt 4G1.5+3x1 |
| FKC 100 55.4 T5 400Y/D | 3x400V~ | 6,1 | 5,5 | 7,5 | 11,4 | 50,3 | 90,9% | 80% | 1450 | Y/Δ | 10mt 7G2.5+3x1 |
| FKC 100 75.4 T5 400Y/D | 3x400V~ | 8,4 | 7,5 | 10,0 | 14,6 | 44,5 | 90,4% | 60% | 1450 | Y/Δ | 10mt 7G2.5+3x1 |

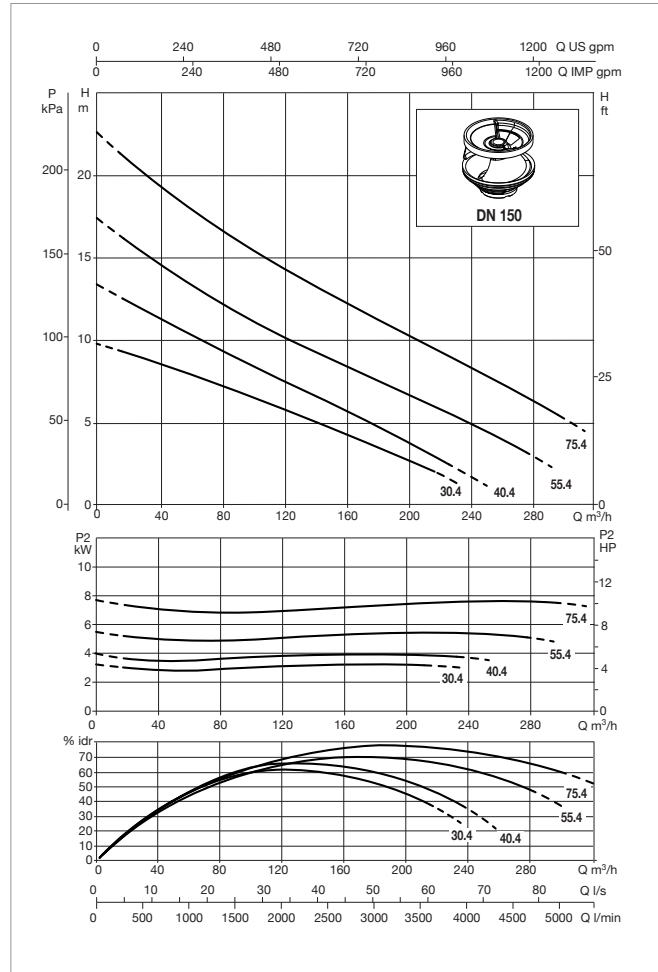
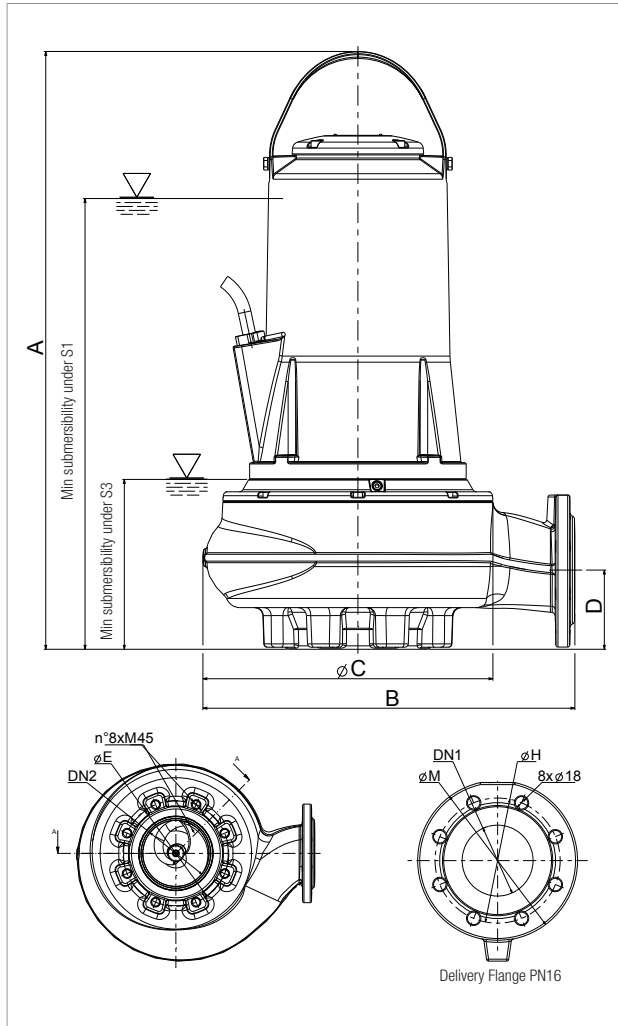
Models available in explosion proof version. ATEX: II2G Ex db k IIB T4 or IECEx: Ex db IIB T4 Gb. Only with pump completely submerged.

* %S3 indicates the percentage of duty in a cycle from 10 up to 60 minutes; 100% S1 means continuous duty.

| MODEL | SOLIDS HANDLING | A | B | C | D | S1 | S3 | DN2 | FLANGE DIMENSION EN 1092-1 PN16 | | | | PACKAGING DIMENSION | | | WEIGHT Kg |
|------------------------|--------------------|-----|-----|-----|-----|-----|-----|-----|---------------------------------|-----|-----|----------|---------------------|-----|-----|--------------|
| | | | | | | | | | DN1 | M | H | N° HOLES | L/A | L/B | H | |
| FKC 100 15.4 T5 400D | 80 | 677 | 435 | 355 | 112 | 526 | 220 | 100 | 100 | 224 | 180 | 8 | 803 | 430 | 603 | 120 |
| FKC 100 22.4 T5 400D | 80 | 677 | 435 | 355 | 112 | 526 | 220 | 100 | 100 | 224 | 180 | 8 | 803 | 430 | 603 | 120 |
| FKC 100 30.4 T5 400D | 100 | 758 | 544 | 430 | 116 | 558 | 220 | 150 | 100 | 224 | 180 | 8 | 1030 | 530 | 728 | 181 |
| FKC 100 40.4 T5 400D | 100 | 758 | 544 | 430 | 116 | 558 | 220 | 150 | 100 | 230 | 180 | 8 | 1030 | 530 | 728 | 181 |
| FKC 100 55.4 T5 400Y/D | 100 | 870 | 540 | 445 | 115 | 660 | 250 | 150 | 100 | 225 | 180 | 8 | 1030 | 530 | 728 | 235 |
| FKC 100 75.4 T5 400Y/D | 100 | 870 | 540 | 445 | 115 | 660 | 250 | 150 | 100 | 230 | 180 | 8 | 1030 | 530 | 728 | 235 |

FKC 150 - 4 POLES - SUBMERSIBLE PUMPS FOR SEWAGE

Fluid temperature range: from 0° to +40°C. For higher temperature please contact our sale offices.



The performance curves are based on kinematic viscosity values = 1 mm²/s and density equal to 1000 kg/m³. Curve tolerance according to ISO 9906.

| MODEL | ELECTRICAL DATA | | | | | | | | | | |
|------------------------|------------------------|----------|------------|------|---------|---------|----------|-------------------------|------------------------|----------|----------------|
| | RATED VOLTAGE 50 Hz | P1 kW | P2 NOMINAL | | In A | Is A | η% MOTOR | % S3 * EMERGED MOTOR | RATED SPEED rpm/min | STARTING | CABLE |
| | | | kW | HP | | | | | | | |
| FKC 150 30.4 T5 400D | 3 x 400 V~ | 3,7 | 3,0 | 5,5 | 7,8 | 20,0 | 88,8% | 100% S1 | 1450 | DOL | 10mt 4G1.5+3x1 |
| FKC 150 40.4 T5 400D | 3 x 400 V~ | 4,5 | 4,0 | 5,5 | 8,7 | 20,0 | 88,8% | 100% S1 | 1450 | DOL | 10mt 4G1.5+3x1 |
| FKC 150 55.4 T5 400Y/D | 3 x 400 V~ | 6,0 | 5,5 | 7,5 | 11,3 | 50,3 | 90,8% | 80% | 1450 | Y/Δ | 10mt 7G2.5+3x1 |
| FKC 150 75.4 T5 400Y/D | 3 x 400 V~ | 8,4 | 7,5 | 10,0 | 14,7 | 44,5 | 90,6% | 60% | 1450 | Y/Δ | 10mt 7G2.5+3x1 |


Models available in explosion proof version. ATEX: II2G Ex db k IIB T4 or IECEx: Ex db IIB T4 Gb. Only with pump completely submerged.

* %S3 indicates the percentage of duty in a cycle from 10 up to 60 minutes; 100% S1 means continuous duty.

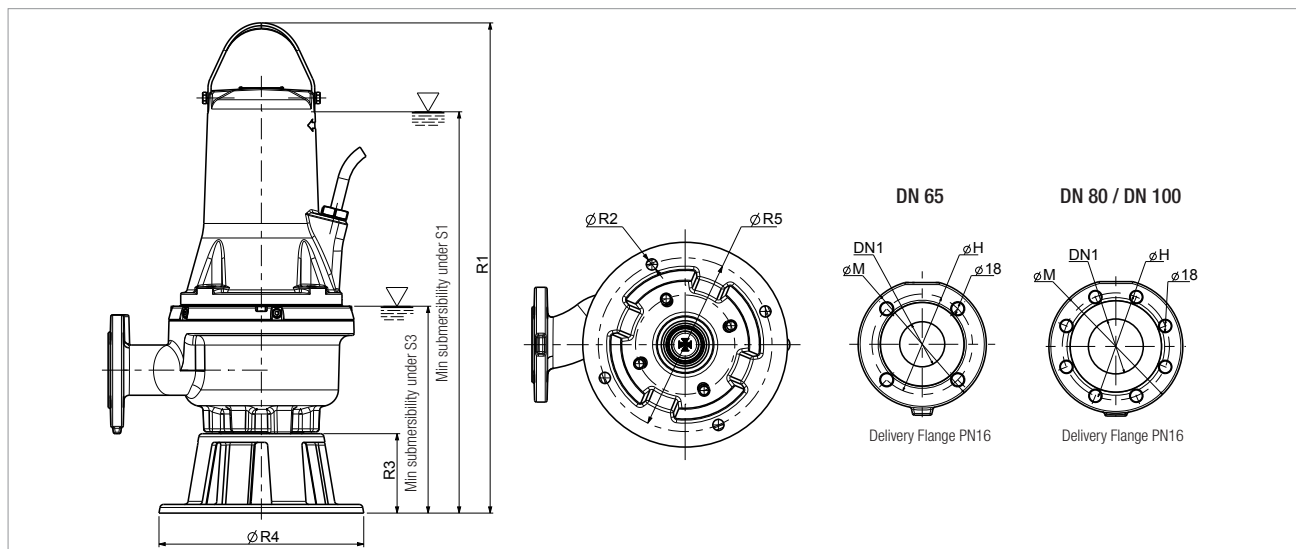
| MODEL | SOLIDS HANDLING | A | B | C | D | S1 | S3 | DN2 | FLANGE DIMENSION EN 1092-1 PN16 | | | | PACKAGING DIMENSION | | | WEIGHT Kg |
|------------------------|--------------------|-----|-----|-----|-----|-----|-----|-----|---------------------------------|-----|-----|----------|---------------------|-----|-----|--------------|
| | | | | | | | | | DN1 | M | H | N° HOLES | L/A | L/B | H | |
| FKC 150 30.4 T5 400D | 100 | 775 | 544 | 435 | 128 | 568 | 220 | 150 | 150 | 285 | 240 | 8 | 1030 | 530 | 728 | 181 |
| FKC 150 40.4 T5 400D | 100 | 775 | 544 | 435 | 128 | 568 | 220 | 150 | 150 | 285 | 240 | 8 | 1030 | 530 | 728 | 181 |
| FKC 150 55.4 T5 400Y/D | 100 | 870 | 540 | 460 | 110 | 660 | 250 | 150 | 150 | 285 | 240 | 8 | 1030 | 530 | 728 | 235 |
| FKC 150 75.4 T5 400Y/D | 100 | 870 | 540 | 460 | 110 | 660 | 250 | 150 | 150 | 285 | 240 | 8 | 1030 | 530 | 728 | 235 |

FK - RINGSTAND

The Ringstand is useful for portable installation when a rapid pump positioning in the tank is needed, ensuring high stability thanks to a large contact surface.


| DESCRIPTION | GENERAL FEATURES | FKV 65 FKV80 | FKV 100 | FKC 65 | FKC 80 | FKC 100 fino 2.2kW | PACKAGING DIMENSION | | | WEIGHT Kg |
|---|-------------------|-----------------|------------|--------|--------|-----------------------|---------------------|-----|-----|--------------|
| | | | | | | | L/A | L/B | H | |
|  | RINGSTAND Ø325 FK | | | x | | | 360 | 360 | 160 | 10,5 |
| | RINGSTAND Ø330 FK | x | | | | 10,5 | | | | |
| | RINGSTAND Ø355 FK | | x | | x | x | | | | 11,4 |

| MODEL | R1 | R2 | R3 | R4 | R5 | S1 | S3 | FLANGE DIMENSION EN 1092-1 PN16 | | | |
|------------------------|------|----|-----|-----|-----|-----|-----|---------------------------------|-----|-----|----------|
| | | | | | | | | DN1 | M | H | N° HOLES |
| FKV 65 11.4 T5 400D | 790 | 18 | 128 | 330 | 280 | 643 | 334 | 65 | 185 | 145 | 4 |
| FKV 65 22.2 T5 400D | 790 | 18 | 128 | 330 | 280 | 643 | 334 | 65 | 185 | 145 | 4 |
| FKV 65 30.2 T5 400D | 790 | 18 | 128 | 330 | 280 | 643 | 334 | 65 | 185 | 145 | 4 |
| FKV 65 40.2 T5 400D | 848 | 18 | 128 | 330 | 280 | 713 | 373 | 65 | 185 | 145 | 4 |
| FKV 80 11.4 T5 400D | 814 | 18 | 128 | 330 | 280 | 668 | 358 | 80 | 200 | 160 | 8 |
| FKV 80 15.4 T5 400D | 814 | 18 | 128 | 330 | 280 | 668 | 358 | 80 | 200 | 160 | 8 |
| FKV 80 22.4 T5 400D | 814 | 18 | 128 | 330 | 280 | 668 | 358 | 80 | 200 | 160 | 8 |
| FKV 80 40.4 T5 400D | 877 | 18 | 128 | 330 | 280 | 703 | 363 | 80 | 200 | 160 | 8 |
| FKV 80 40.2 T5 400D | 875 | 18 | 128 | 330 | 280 | 703 | 363 | 80 | 200 | 160 | 8 |
| FKV 80 60.2 T5 400Y/D | 875 | 18 | 128 | 330 | 280 | 703 | 363 | 80 | 200 | 160 | 8 |
| FKV 80 75.2 T5 400Y/D | 875 | 18 | 128 | 330 | 280 | 703 | 363 | 80 | 200 | 160 | 8 |
| FKV 80 92.2 T5 400Y/D | 991 | 18 | 128 | 330 | 280 | 778 | 368 | 80 | 200 | 160 | 8 |
| FKV 80 110.2 T5 400Y/D | 991 | 18 | 128 | 330 | 280 | 778 | 368 | 80 | 200 | 160 | 8 |
| FKV 100 30.4 T5 400D | 890 | 19 | 130 | 355 | 300 | 715 | 375 | 100 | 230 | 180 | 8 |
| FKV 100 40.4 T5 400D | 890 | 19 | 130 | 355 | 300 | 715 | 375 | 100 | 230 | 180 | 8 |
| FKV 100 55.4 T5 400Y/D | 1013 | 19 | 130 | 355 | 300 | 800 | 390 | 100 | 230 | 180 | 8 |
| FKV 100 75.4 T5 400Y/D | 1013 | 19 | 130 | 355 | 300 | 800 | 390 | 100 | 230 | 180 | 8 |
| FKC 65 22.2 T5 400D | 750 | 19 | 130 | 325 | 270 | 600 | 290 | 65 | 185 | 145 | 4 |
| FKC 65 30.2 T5 400D | 750 | 19 | 130 | 325 | 270 | 600 | 290 | 65 | 185 | 145 | 4 |
| FKC 80 15.4 T5 400D | 787 | 19 | 130 | 355 | 300 | 640 | 330 | 80 | 200 | 160 | 8 |
| FKC 80 22.4 T5 400D | 787 | 19 | 130 | 355 | 300 | 640 | 330 | 80 | 200 | 160 | 8 |
| FKC 80 30.4 T5 400D | 879 | 19 | 130 | 355 | 300 | 692 | 365 | 80 | 200 | 160 | 8 |
| FKC 80 40.4 T5 400D | 879 | 19 | 130 | 355 | 300 | 692 | 365 | 80 | 200 | 160 | 8 |
| FKC 80 55.4 T5 400Y/D | 879 | 19 | 130 | 355 | 300 | 692 | 365 | 80 | 200 | 160 | 8 |
| FKC 80 75.4 T5 400Y/D | 879 | 19 | 130 | 355 | 300 | 692 | 365 | 80 | 200 | 160 | 8 |
| FKC 100 15.4 T5 400D | 787 | 19 | 130 | 355 | 300 | 640 | 330 | 100 | 224 | 180 | 8 |
| FKC 100 22.4 T5 400D | 787 | 19 | 130 | 355 | 300 | 640 | 330 | 100 | 224 | 180 | 8 |
| FKC 100 30.4 T5 400D | - | - | - | - | - | - | - | 100 | 224 | 180 | 8 |
| FKC 100 40.4 T5 400D | - | - | - | - | - | - | - | 100 | 224 | 180 | 8 |
| FKC 100 55.4 T5 400Y/D | - | - | - | - | - | - | - | 100 | 224 | 180 | 8 |
| FKC 100 75.4 T5 400Y/D | - | - | - | - | - | - | - | 100 | 224 | 180 | 8 |
| FKC 150 40.4 T5 400D | - | - | - | - | - | - | - | 150 | 285 | 240 | 8 |
| FKC 150 40.4 T5 400D | - | - | - | - | - | - | - | 150 | 285 | 240 | 8 |
| FKC 150 55.4 T5 400Y/D | - | - | - | - | - | - | - | 150 | 285 | 240 | 8 |
| FKC 150 75.4 T5 400Y/D | - | - | - | - | - | - | - | 150 | 285 | 240 | 8 |



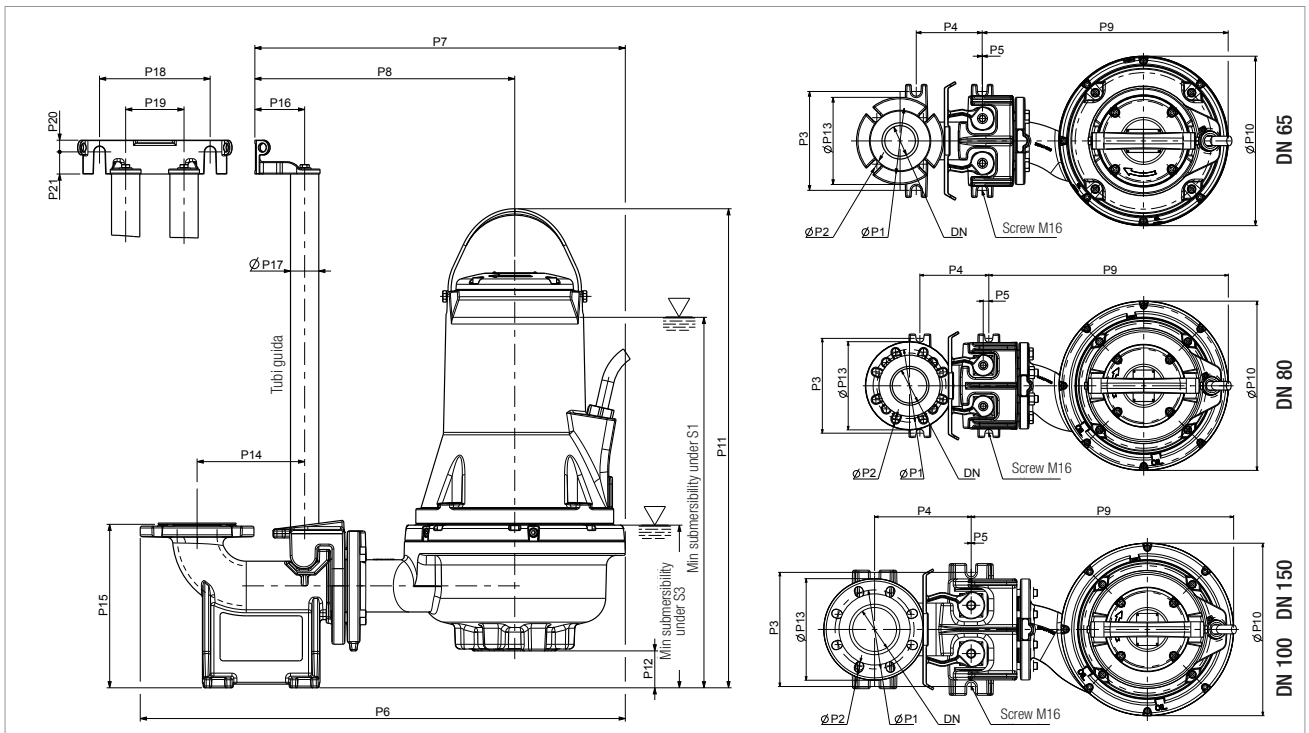
FK - COUPLING UNIT WITH VERTICAL OUTLET DA-V (DN65 ÷ DN100)

The coupling unit devices for fixed installation facilitate the ascent and descent of the pump in the tank. They come complete with all necessary components for installation with the exception of guide rails.

| DESCRIPTION | GENERAL FEATURES | FKV - FKC 65 | FKV - FKC 80 | FKV - FKC 100 | FKC 150 | PACKAGING DIMENSION | | | WEIGHT Kg |
|---|---|--------------|--------------|---------------|---------|---------------------|-----|-----|-----------|
| | | | | | | L/A | L/B | H | |
|  DA-V65 COUPLING UNIT DN65 DA-V80 COUPLING UNIT DN80 DA-V100 COUPLING UNIT DN100 DA-V150 COUPLING UNIT DN150 | - EN G.JL200 - Screws Stainless Steel A2 - Two Component Coating - NBR Rubber Seal | x | | | | 599 | 399 | 557 | 25 |
| | | | x | | | | | | 31,5 |
| | | | | x | | | | | 60 |
| | | | | | x | | | | 96 |


| MODEL | DN | P1 | P2 | P3 | P4 | P5 | P6 | P7 | P8 | P9 | P10 | P11 | P12 | P13 | P14 | P15 | P16 | P17 | P18 | P19 | P20 | P21 | S1 | S3 |
|-------------------------------|-----|---------|-------------|-----|-----|----|-----|-----|-----|-----|-----|-----|-----|-----|-----|-----|-----|--------|-----|-----|-----|-----|-----|-----|
| FKV 65 11.4 T5 400D | 65 | 145 | 4xø18 | 210 | 140 | 1 | 730 | 543 | 394 | 463 | 300 | 725 | 63 | 185 | 175 | 266 | 81 | 1" 1/2 | 180 | 95 | 19 | 36 | 578 | 269 |
| FKV 65 22.2 T5 400D | 65 | 145 | 4xø18 | 210 | 140 | 1 | 730 | 543 | 394 | 463 | 300 | 725 | 63 | 185 | 175 | 266 | 81 | 1" 1/2 | 180 | 95 | 19 | 36 | 578 | 269 |
| FKV 65 30.2 T5 400D | 65 | 145 | 4xø18 | 210 | 140 | 1 | 730 | 543 | 394 | 463 | 300 | 725 | 63 | 185 | 175 | 266 | 81 | 1" 1/2 | 180 | 95 | 19 | 36 | 578 | 269 |
| FKV 65 40.2 T5 400D | 65 | 145 | 4xø18 | 210 | 140 | 1 | 790 | 603 | 423 | 523 | 360 | 780 | 60 | 185 | 175 | 266 | 81 | 1" 1/2 | 180 | 95 | 19 | 36 | 645 | 305 |
| FKV 80 11.4 T5 400D | 80 | 150+160 | 4xø19+8xø18 | 220 | 160 | 13 | 762 | 570 | 402 | 489 | 336 | 777 | 91 | 205 | 171 | 345 | 81 | 1" 1/2 | 180 | 95 | 19 | 36 | 631 | 321 |
| FKV 80 15.4 T5 400D | 80 | 150+160 | 4xø19+8xø18 | 220 | 160 | 13 | 762 | 570 | 402 | 489 | 336 | 777 | 91 | 205 | 171 | 345 | 81 | 1" 1/2 | 180 | 95 | 19 | 36 | 631 | 321 |
| FKV 80 22.4 T5 400D | 80 | 150+160 | 4xø19+8xø18 | 220 | 160 | 13 | 762 | 570 | 402 | 489 | 336 | 777 | 91 | 205 | 171 | 345 | 81 | 1" 1/2 | 180 | 95 | 19 | 36 | 631 | 321 |
| FKV 80 40.4 T5 400D | 80 | 150+160 | 4xø19+8xø18 | 220 | 160 | 13 | 813 | 620 | 427 | 527 | 386 | 842 | 91 | 205 | 209 | 345 | 81 | 1" 1/2 | 180 | 95 | 19 | 36 | 666 | 326 |
| FKV 80 40.2 T5 400D | 80 | 150+160 | 4xø19+8xø18 | 220 | 160 | 13 | 809 | 617 | 437 | 523 | 360 | 843 | 96 | 205 | 171 | 345 | 81 | 1" 1/2 | 180 | 95 | 19 | 36 | 671 | 331 |
| FKV 80 60.2 T5 400Y/D | 80 | 150+160 | 4xø19+8xø18 | 220 | 160 | 13 | 809 | 617 | 437 | 523 | 360 | 843 | 96 | 205 | 171 | 345 | 81 | 1" 1/2 | 180 | 95 | 19 | 36 | 671 | 331 |
| FKV 80 75.2 T5 400Y/D | 80 | 150+160 | 4xø19+8xø18 | 220 | 160 | 13 | 809 | 617 | 437 | 523 | 360 | 843 | 96 | 205 | 171 | 345 | 81 | 1" 1/2 | 180 | 95 | 19 | 36 | 671 | 331 |
| FKV 80 92.2 T5 400Y/D | 80 | 150+160 | 4xø19+8xø18 | 220 | 160 | 13 | 842 | 650 | 454 | 556 | 390 | 940 | 77 | 205 | 171 | 345 | 81 | 1" 1/2 | 180 | 95 | 19 | 36 | 727 | 317 |
| FKV 80 110.2 T5 400Y/D | 80 | 150+160 | 4xø19+8xø18 | 220 | 160 | 13 | 842 | 650 | 454 | 556 | 390 | 940 | 77 | 205 | 171 | 345 | 81 | 1" 1/2 | 180 | 95 | 19 | 36 | 727 | 317 |
| FKV 100 30.4 T5 400D | 100 | 180 | 8xø18 | 260 | 220 | 0 | 900 | 675 | 495 | 565 | 360 | 866 | 106 | 230 | 220 | 413 | 110 | 2" | 200 | 110 | 20 | 35 | 691 | 351 |
| FKV 100 40.4 T5 400D | 100 | 180 | 8xø18 | 260 | 220 | 0 | 900 | 675 | 495 | 565 | 360 | 866 | 106 | 230 | 220 | 413 | 110 | 2" | 200 | 110 | 20 | 35 | 691 | 351 |
| FKV 100 55.4 T5 400Y/D | 100 | 180 | 8xø18 | 260 | 220 | 0 | 934 | 708 | 512 | 597 | 390 | 979 | 96 | 230 | 220 | 413 | 110 | 2" | 200 | 110 | 20 | 35 | 766 | 356 |
| FKV 100 75.4 T5 400Y/D | 100 | 180 | 8xø18 | 260 | 220 | 0 | 934 | 708 | 512 | 597 | 390 | 979 | 96 | 230 | 220 | 413 | 110 | 2" | 200 | 110 | 20 | 35 | 766 | 356 |

| MODEL | DN | P1 | P2 | P3 | P4 | P5 | P6 | P7 | P8 | P9 | P10 | P11 | P12 | P13 | P14 | P15 | P16 | P17 | P18 | P19 | P20 | P21 | S1 | S3 |
|------------------------|-----|---------|-------------|-----|-----|----|------|-----|-----|-----|-----|------|-----|-----|-----|-----|-----|--------|-----|-----|-----|-----|-----|-----|
| FKC 65 22.2 T5 400D | 65 | 145 | 4xø18 | 210 | 140 | 1 | 700 | 512 | 363 | 431 | 300 | 720 | 100 | 185 | 175 | 266 | 81 | 1" 1/2 | 180 | 95 | 19 | 36 | 578 | 270 |
| FKC 65 30.2 T5 400D | 65 | 145 | 4xø18 | 210 | 140 | 1 | 700 | 512 | 363 | 431 | 300 | 720 | 100 | 185 | 175 | 266 | 81 | 1" 1/2 | 180 | 95 | 19 | 36 | 578 | 270 |
| FKC 80 15.4 T5 400D | 80 | 150+160 | 4xø19+8xø18 | 220 | 160 | 13 | 769 | 594 | 432 | 513 | 355 | 765 | 108 | 205 | 171 | 345 | 81 | 1" 1/2 | 180 | 95 | 19 | 36 | 630 | 325 |
| FKC 80 22.4 T5 400D | 80 | 150+160 | 4xø19+8xø18 | 220 | 160 | 13 | 769 | 594 | 432 | 513 | 355 | 765 | 108 | 205 | 171 | 345 | 81 | 1" 1/2 | 180 | 95 | 19 | 36 | 630 | 325 |
| FKC 80 30.4 T5 400D | 80 | 150+160 | 4xø19+8xø18 | 220 | 160 | 13 | 860 | 666 | 480 | 572 | 384 | 832 | 82 | 205 | 171 | 345 | 81 | 1" 1/2 | 180 | 95 | 19 | 36 | 666 | 326 |
| FKC 80 40.4 T5 400D | 80 | 150+160 | 4xø19+8xø18 | 220 | 160 | 13 | 860 | 666 | 480 | 572 | 384 | 832 | 82 | 205 | 171 | 345 | 81 | 1" 1/2 | 180 | 95 | 19 | 36 | 671 | 331 |
| FKC 80 55.4 T5 400Y/D | 80 | 150+160 | 4xø19+8xø18 | 220 | 160 | 13 | 883 | 690 | 490 | 596 | 407 | 940 | 82 | 205 | 171 | 345 | 81 | 1" 1/2 | 180 | 95 | 19 | 36 | 730 | 320 |
| FKC 80 75.4 T5 400Y/D | 80 | 150+160 | 4xø19+8xø18 | 220 | 160 | 13 | 883 | 690 | 490 | 596 | 407 | 940 | 82 | 205 | 171 | 345 | 81 | 1" 1/2 | 180 | 95 | 19 | 36 | 730 | 320 |
| FKC 100 15.4 T5 400D | 100 | 180+190 | 8xø18 | 230 | 220 | 0 | 876 | 652 | 490 | 542 | 355 | 805 | 148 | 230 | 220 | 413 | 110 | 2" | 200 | 110 | 20 | 35 | 800 | 350 |
| FKC 100 22.4 T5 400D | 100 | 180+190 | 8xø18 | 230 | 220 | 0 | 876 | 652 | 490 | 542 | 355 | 805 | 148 | 230 | 220 | 413 | 110 | 2" | 200 | 110 | 20 | 35 | 800 | 350 |
| FKC 100 30.4 T5 400D | 100 | 180 | 8xø18 | 260 | 220 | 0 | 990 | 762 | 546 | 652 | 430 | 885 | 125 | 230 | 220 | 413 | 110 | 2" | 200 | 110 | 20 | 35 | 691 | 351 |
| FKC 100 40.4 T5 400D | 100 | 180 | 8xø18 | 260 | 220 | 0 | 990 | 762 | 546 | 652 | 430 | 885 | 125 | 230 | 220 | 413 | 110 | 2" | 200 | 110 | 20 | 35 | 691 | 351 |
| FKC 100 55.4 T5 400Y/D | 100 | 180 | 8xø18 | 260 | 220 | 0 | 984 | 759 | 533 | 649 | 445 | 995 | 125 | 230 | 220 | 413 | 110 | 2" | 200 | 110 | 20 | 35 | 785 | 375 |
| FKC 100 75.4 T5 400Y/D | 100 | 180 | 8xø18 | 260 | 220 | 0 | 984 | 759 | 533 | 649 | 445 | 995 | 125 | 230 | 220 | 413 | 110 | 2" | 200 | 110 | 20 | 35 | 785 | 375 |
| FKC 150 30.4 T5 400D | 150 | 240 | 8xø23 | 300 | 280 | 0 | 1095 | 780 | 563 | 670 | 435 | 922 | 165 | 290 | 280 | 450 | 110 | 2" | 200 | 110 | 20 | 35 | 735 | 407 |
| FKC 150 40.4 T5 400D | 150 | 240 | 8xø23 | 300 | 280 | 0 | 1095 | 780 | 563 | 670 | 435 | 922 | 165 | 290 | 280 | 450 | 110 | 2" | 200 | 110 | 20 | 35 | 735 | 407 |
| FKC 150 55.4 T5 400Y/D | 150 | 240 | 8xø23 | 300 | 280 | 0 | 1095 | 781 | 548 | 671 | 458 | 1035 | 165 | 290 | 280 | 450 | 110 | 2" | 200 | 110 | 20 | 35 | 820 | 410 |
| FKC 150 75.4 T5 400Y/D | 150 | 240 | 8xø23 | 300 | 280 | 0 | 1095 | 781 | 548 | 671 | 458 | 1035 | 165 | 290 | 280 | 450 | 110 | 2" | 200 | 110 | 20 | 35 | 820 | 410 |

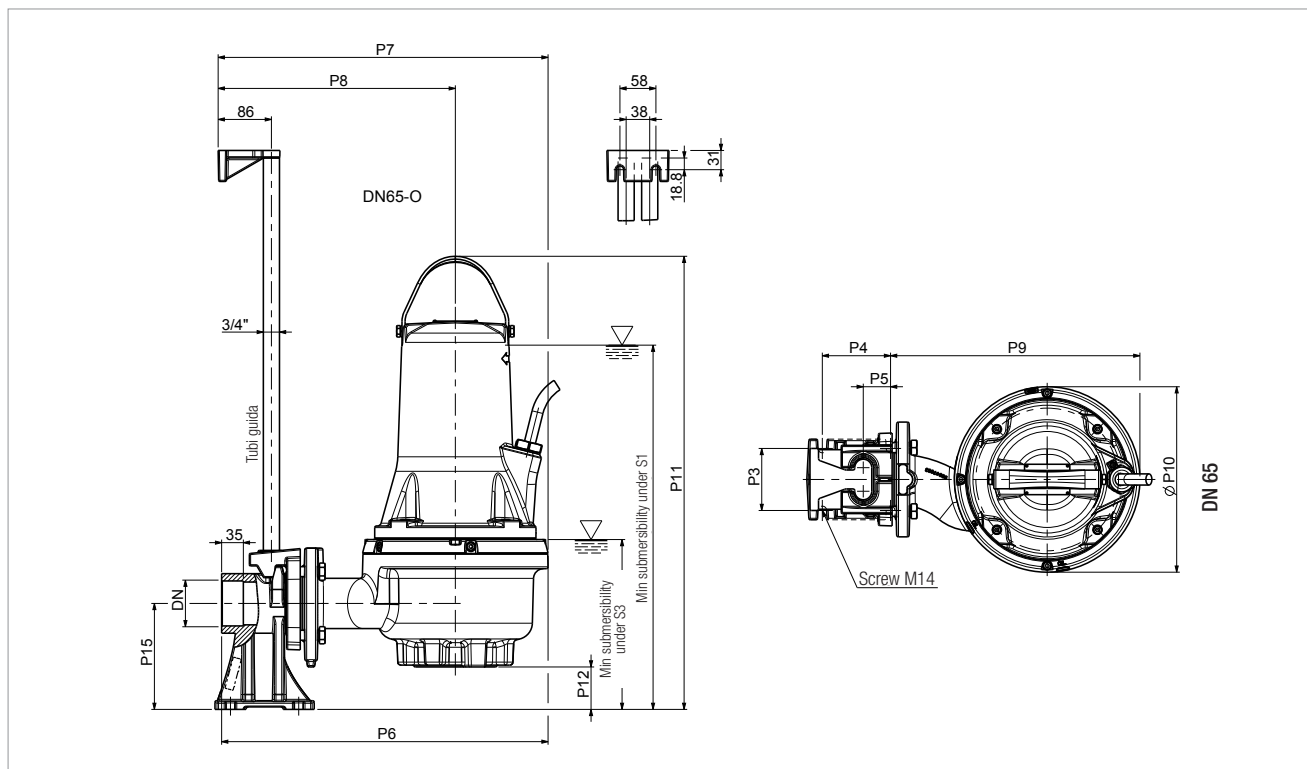


FK - COUPLING UNIT WITH HORIZONTAL OUTLET DA-O (DN65)

The coupling unit devices for fixed installation facilitate the ascent and descent of the pump in the tank. They come complete with all necessary components for installation with the exception of guide rails.

| DESCRIPTION | GENERAL FEATURES | FKV - FKC 65 | FKV - FKC 80 | FKV - FKC 100 | FKC 150 | PACKAGING DIMENSION | | | WEIGHT Kg |
|---|--|--------------|--------------|---------------|---------|---------------------|-----|-----|-----------|
| | | | | | | L/A | L/B | H | |
|  DA-065 COUPLING UNIT DN65 | <ul style="list-style-type: none"> - EN G.JL200 - Screws Stainless Steel A2 - Two Component Coating | x | | | | 160 | 180 | 240 | 12,5 |

| MODEL | DN | P3 | P4 | P5 | P6 | P7 | P8 | P9 | P10 | P11 | P12 | P15 | S1 | S3 |
|----------------------------|-----------|-----|-----|----|-----|-----|-----|-----|-----|-----|-----|-----|-----|-----|
| FKV 65 11.4 T5 400D | Rp 2" 1/2 | 100 | 110 | 44 | 526 | 532 | 382 | 402 | 300 | 730 | 68 | 171 | 583 | 274 |
| FKV 65 22.2 T5 400D | Rp 2" 1/2 | 100 | 110 | 44 | 526 | 532 | 382 | 402 | 300 | 730 | 68 | 171 | 583 | 274 |
| FKV 65 30.2 T5 400D | Rp 2" 1/2 | 100 | 110 | 44 | 526 | 532 | 382 | 402 | 300 | 730 | 68 | 171 | 583 | 274 |
| FKV 65 40.2 T5 400D | Rp 2" 1/2 | 100 | 110 | 44 | 526 | 532 | 382 | 402 | 300 | 730 | 68 | 171 | 650 | 310 |
| FKC 65 22.2 T5 400D | Rp 2" 1/2 | 100 | 110 | 44 | 495 | 490 | 340 | 371 | 300 | 725 | 105 | 171 | 580 | 275 |
| FKC 65 30.2 T5 400D | Rp 2" 1/2 | 100 | 110 | 44 | 495 | 490 | 340 | 371 | 300 | 725 | 105 | 171 | 580 | 275 |



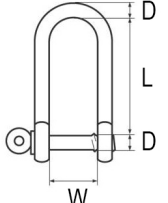
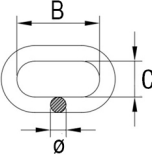
FK - CONTROL PANEL/PUMP SELECTION MATRIX


| PUMP MODEL | P1 MAX | KW | HP | In A | CONTROL PANEL ED 1 PUMP | | CONTROL PANEL ED 2 PUMPS | | CONTROL PANEL ED 3 PUMPS | | ELECTRONIC | |
|------------------------|--------|------|------|------|-------------------------|---------------------|--------------------------|---------------------|--------------------------|---------------------|-----------------------|--------------|
| | | | | | CONTROL PANEL CODE | CONTROL PANEL MODEL | CONTROL PANEL CODE | CONTROL PANEL MODEL | CONTROL PANEL CODE | CONTROL PANEL MODEL | CONTROL PANEL 2 PUMPS | |
| | | | | | | | | | | | e.box PLUS | e.box PLUS D |
| FKV 65 11.4 T5 400D | 1,3 | 1,1 | 1,5 | 3,3 | 108320340 | ED1,5T | 108320450 | E2D3T | 108330450 | E3D4,5T | . | . |
| FKV 65 22.2 T5 400D | 2,5 | 2,2 | 3,0 | 4,8 | 108320350 | ED2,5T | 108320460 | E2D5T | 60115082 | E3D7,5T | . | . |
| FKV 65 30.2 T5 400D | 3,3 | 3,0 | 4,0 | 5,7 | 108320350 | ED2,5T | 108320460 | E2D5T | 60115082 | E3D7,5T | . | . |
| FKV 65 40.2 T5 400D | 4,6 | 4,0 | 5,5 | 7,5 | 60170054 | ED4T | 60170062 | E2D8T | 60170069 | E3D12T | . | . |
| FKV 80 11.4 T5 400D | 1,3 | 1,1 | 1,5 | 3,5 | 108320340 | ED1,5T | 108320450 | E2D3T | 108330450 | E3D4,5T | . | . |
| FKV 80 15.4 T5 400D | 1,8 | 1,5 | 2,0 | 3,8 | 108320340 | ED1,5T | 108320450 | E2D3T | 108330450 | E3D4,5T | . | . |
| FKV 80 22.4 T5 400D | 2,5 | 2,2 | 3,0 | 4,7 | 108320350 | ED2,5T | 108320460 | E2D5T | 60115082 | E3D7,5T | . | . |
| FKV 80 40.4 T5 400D | 4,5 | 4,0 | 5,5 | 8,6 | 60170054 | ED4T | 60170062 | E2D8T | 60170069 | E3D12T | . | . |
| FKV 80 40.2 T5 400D | 4,6 | 4,0 | 5,5 | 7,7 | 60170054 | ED4T | 60170062 | E2D8T | 60170069 | E3D12T | . | . |
| FKV 80 60.2 T5 400Y/D | 6,9 | 6,0 | 8,2 | 11,7 | 108320840 | ED7,5T SD | 60170047 | E2D15T SD | 60170051 | E3D22,5T SD | | |
| FKV 80 75.2 T5 400Y/D | 8,3 | 7,5 | 10,2 | 13,7 | 108320840 | ED7,5T SD | 60170047 | E2D15T SD | 60170051 | E3D22,5T SD | | |
| FKV 80 92.2 T5 400Y/D | 10,2 | 9,2 | 12,5 | 18,0 | 60170075 | ED15T SD | 60170065 | E2D30T SD | 60170072 | E3D45T SD | | |
| FKV 80 110.2 T5 400Y/D | 12,1 | 11,0 | 15,0 | 21,0 | 60170075 | ED15T SD | 60170065 | E2D30T SD | 60170072 | E3D45T SD | | |
| FKV 100 30.4 T5 400D | 3,5 | 3,0 | 4,0 | 8,0 | 60170054 | ED4T | 60170062 | E2D8T | 60170069 | E3D12T | . | . |
| FKV 100 40.4 T5 400D | 4,5 | 4,0 | 5,5 | 8,9 | 60170054 | ED4T | 60170062 | E2D8T | 60170069 | E3D12T | . | . |
| FKV 100 55.4 T5 400Y/D | 6,2 | 5,5 | 7,5 | 11,3 | 108320840 | ED7,5T SD | 60170047 | E2D15T SD | 60170051 | E3D22,5T SD | | |
| FKV 100 75.4 T5 400Y/D | 8,3 | 7,5 | 10,0 | 14,3 | 108320840 | ED7,5T SD | 60170047 | E2D15T SD | 60170051 | E3D22,5T SD | | |
| FKC 65 22.2 T5 400D | 2,5 | 2,2 | 3,0 | 4,8 | 108320350 | ED2,5T | 108320460 | E2D5T | 60115082 | E3D7,5T | x | x |
| FKC 65 30.2 T5 400D | 3,3 | 3,0 | 4,0 | 5,7 | 108320350 | ED2,5T | 108320460 | E2D5T | 60115082 | E3D7,5T | x | x |
| FKC 80 15.4 T5 400D | 1,8 | 1,5 | 2,0 | 3,8 | 108320340 | ED1,5T | 108320450 | E2D3T | 108330450 | E3D4,5T | x | x |
| FKC 80 22.4 T5 400D | 2,5 | 2,2 | 3,0 | 4,7 | 108320350 | ED2,5T | 108320460 | E2D5T | 60115082 | E3D7,5T | x | x |
| FKC 80 30.4 T5 400D | 3,5 | 3,0 | 4,0 | 8,0 | 60170054 | ED4T | 60170062 | E2D8T | 60170069 | E3D12T | x | x |
| FKC 80 40.4 T5 400D | 4,5 | 4,0 | 5,5 | 8,9 | 60170054 | ED4T | 60170062 | E2D8T | 60170069 | E3D12T | x | x |
| FKC 80 55.4 T5 400Y/D | 6,2 | 5,5 | 7,5 | 11,3 | 108320840 | ED7,5T SD | 60170047 | E2D15T SD | 60170051 | E3D22,5T SD | | |
| FKC 80 75.4 T5 400Y/D | 8,3 | 7,5 | 10,0 | 14,3 | 108320840 | ED7,5T SD | 60170047 | E2D15T SD | 60170051 | E3D22,5T SD | | |
| FKC 100 15.4 T5 400D | 1,8 | 1,5 | 2,0 | 3,8 | 108320340 | ED1,5T | 108320450 | E2D3T | 108330450 | E3D4,5T | x | x |
| FKC 100 22.4 T5 400D | 2,5 | 2,2 | 3,0 | 4,7 | 108320350 | ED2,5T | 108320460 | E2D5T | 60115082 | E3D7,5T | x | x |
| FKC 100 30.4 T5 400D | 3,5 | 3,0 | 4,0 | 8,0 | 60170054 | ED4T | 60170062 | E2D8T | 60170069 | E3D12T | x | x |
| FKC 100 40.4 T5 400D | 4,5 | 4,0 | 5,5 | 8,9 | 60170054 | ED4T | 60170062 | E2D8T | 60170069 | E3D12T | x | x |
| FKC 100 55.4 T5 400Y/D | 6,2 | 5,5 | 7,5 | 11,3 | 108320840 | ED7,5T SD | 60170047 | E2D15T SD | 60170051 | E3D22,5T SD | | |
| FKC 100 75.4 T5 400Y/D | 8,3 | 7,5 | 10,0 | 14,3 | 108320840 | ED7,5T SD | 60170047 | E2D15T SD | 60170051 | E3D22,5T SD | | |
| FKC 150 40.4 T5 400D | 4,5 | 4,0 | 5,5 | 8,9 | 60170054 | ED4T | 60170062 | E2D8T | 60170069 | E3D12T | x | x |
| FKC 150 55.4 T5 400Y/D | 6,2 | 5,5 | 7,5 | 11,3 | 108320840 | ED7,5T SD | 60170047 | E2D15T SD | 60170051 | E3D22,5T SD | | |
| FKC 150 75.4 T5 400Y/D | 8,3 | 7,5 | 10,0 | 14,3 | 108320840 | ED7,5T SD | 60170047 | E2D15T SD | 60170051 | E3D22,5T SD | | |

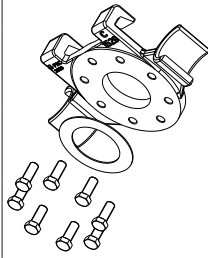
ACCESSORIES


ACCESSORIES

SUBMERSIBLE PUMPS

| DESCRIPTION | GENERAL FEATURES | FKV FKC 65 | FKV FKC 80 | FKC FKV 100 | FKC 150 | PACKAGING DIMENSION | | | WEIGHT Kg | | |
|--|---|------------|------------|-------------|---------|---------------------|-----|----|-----------|---|------|
| | | | | | | 150" | L/B | H | | | |
|  KIT CHAIN W/SHACKLE 3MT A316 MAX 150KG | - 2 schakles EN 13889:2009: AISI 316 - Chain 3mt: AISI 316 - MAX Load: 150 Kg | • | | | | 95 | 145 | 85 | 1 | | |
| | | | | | | | | | | A | 13 |
| | | | | | | | | | | B | 20,5 |
| | | | | | | | | | | C | 8 |
| | | | | | | | | | | D | 6 |
| | | | | | | | | | | L | 25 |
|  KIT CHAIN W/SHACKLE 3MT A316 MAX 700KG | - 2 schakles EN 13889:2009: AISI 316 - Chain 3mt: AISI 316 - MAX Load: 700 Kg | | • | • | • | 130 | 175 | 90 | 4 | | |
| | | | | | | | | | | A | 25 |
| | | | | | | | | | | B | 35 |
| | | | | | | | | | | C | 14,5 |
| | | | | | | | | | | D | 12 |
| | | | | | | | | | | L | 47 |
| Ø | 8 | | | | | | | | | | |

| | | | | | | | | | | |
|--|-------------------------------------|---------------------------|---|---|---|---|-----|-----|-----|------|
|  | FLYGT COUPLING ADAPTER DN65 | | • | | | | 300 | 220 | 225 | 9,25 |
| | FLYGT COUPLING ADAPTER DN80 | - EN GJL250 | | • | | | 300 | 220 | 225 | 10,2 |
| | FLYGT COUPLING ADAPTER DN100 | - Screws M16x70 : INOX A2 | | | • | | 330 | 240 | 245 | 15,6 |
| | FLYGT COUPLING ADAPTER DN150 | - Two Component Coating | | | | • | 370 | 275 | 260 | 20,6 |

| | | | | | | | | | | |
|---|--|---------------------------|---|---|---|---|-----|-----|-----|-----|
|  | COUPLING SYSTEM ADAPTOR FK65 - FEKA2500 | | • | | | | 175 | 160 | 145 | 4 |
| | COUPLING SYSTEM ADAPTOR FK80 - FEKA 3000 | | | • | | | 430 | 250 | 310 | 5,8 |
| | COUPLING SYSTEM ADAPTOR FK100 - FEKA 4000 | - EN GJL200 | | | • | | | | | |
| | COUPLING SYSTEM ADAPTOR FK 65 - FEKA 3000 | - Screws M16x40 : INOX A2 | | • | | | | | | |
| | COUPLING SYSTEM ADAPTOR FK80 - FEKA 4000 | - Water Painting | | | • | | | | | |
| | COUPLING SYSTEM ADAPTOR FK 150- FEKA 6000 | | | | | • | | | | |
| | | | | | | | | | | |

| | DESCRIPTION | GENERAL FEATURES | DN | | | FKV FKC 65 | FKV FKC 80 | FKC FKV 100 | FKC 150 | 150" | L/B | H | WEIGHT Kg |
|---|------------------------------|---------------------------------------|-----|----------|--------|------------|------------|-------------|---------|------|-----|----|-----------|
| | | | PN | Threaded | | | | | | | | | |
|  | KIT FLANGE DN 65 PN16 | - Galvanized Steel - Screws M16x70 | 65 | 16 | 2" 1/2 | • | | | | 200 | 200 | 70 | 4,3 |
| | KIT FLANGE DN 80 PN16 | | 80 | 16 | 3" | | • | | | | | | 4,9 |
| | KIT FLANGE DN100 PN16 | | 100 | 16 | 4" | | | • | | | | | 4,74 |

DNA[®]

PUMPS SELECTOR



On-line selection tool



DAB PUMPS LTD.

Unit 4 and 5, Stortford Hall Industrial Park,
Dunmow Road,
Bishops Stortford,
Herts
CM23 5GZ - UK
salesuk@dwtgroup.com
Tel. +44 1279 652 776
Fax +44 1279 657 727



DAB PUMPS IBERICA S.L.

Avenida de Castilla nr.1 Local 14
28830 - San Fernando De Henares - Madrid
Spain
info.spain@dwtgroup.com
Tel. +34 91 6569545
Fax: +34 91 6569676



DAB PUMPS INC.

3226 Benchmark Drive
Ladson, SC 29456 - USA
info.usa@dwtgroup.com
Tel. 1-843-824-6332
Toll Free 1-866-896-4DAB (4322)
Fax 1-843-797-3366



DAB PUMPS B.V.

Brusselstraat 150
B-1702 Groot-Bijgaarden - Belgium
info.belgium@dwtgroup.com
Tel. +32 2 4668353
Fax +32 2 4669218



DAB PRODUCTION HUNGARY KFT.

H-8800
Nagykanizsa, Buda Ernó u.5
Hungary
Tel. +36 93501700



DWT SOUTH AFRICA

Podium at Menlyn,
3rd Floor, Unit 3001b, 43 Ingersol Road,
C/O Lois and Atterbury street,
Menlyn, Pretoria, 0181 - South-Africa
info.sa@dwtgroup.com
Tel. +27 12 361 3997
Fax +27 12 361 3137



DAB PUMPS POLAND Sp. z o.o.

Mokotow Marynarska
ul. Postępu 15C
02-676 Warszawa - Poland
Tel. +48 223 81 6085



DAB PUMPS CHINA

No.40 Kaituo Road, Qingdao Economic & Technological
Development Zone
Qingdao City, Shandong Province - China
PC: 266500
info.china@dwtgroup.com
Tel. +8653286812030-6270
Fax +8653286812210



DAB PUMPS B.V.

Albert Einsteinweg, 4
5151 DL Drunen - Nederland
info.netherlands@dwtgroup.com
Tel. +31 416 387280
Fax +31 416 387299



DAB UKRAINE Representative Office

Regus Horizon Park
4 M. Hrinchenka St, suit 147
03680 Kiev - Ukraine
Tel. +38 044 391 59 43



DAB PUMPEN DEUTSCHLAND GmbH

Tackweg 11
D - 47918 Tönisvorst - Germany
info.germany@dwtgroup.com
Tel. +49 2151 82136-0
Fax +49 2151 82136-36



OOO DAB PUMPS

Novgorodskaya str. 1, block G
office 308, 127247, Moscow - Russia
info.russia@dwtgroup.com
Tel. +7 495 122 0035
Fax +7 495 122 0036



DAB PUMPS DE MÉXICO, S.A. DE C.V.

Av Gral Álvaro Obregón 270, oficina 355
Hipódromo, Cuauhtémoc 06100
México, D.F.
Tel. +52 55 6719 0493