



**Application**

- Sewage and industrial waste water with solids in suspensions.
  - max. dia. 38mm, without long fibres.
- For continuous operation, the pump must be submerged for 2/3 of its height.
- Suitable for fixed installation with coupling foot; portable installations with quick rails, suspended or rested.

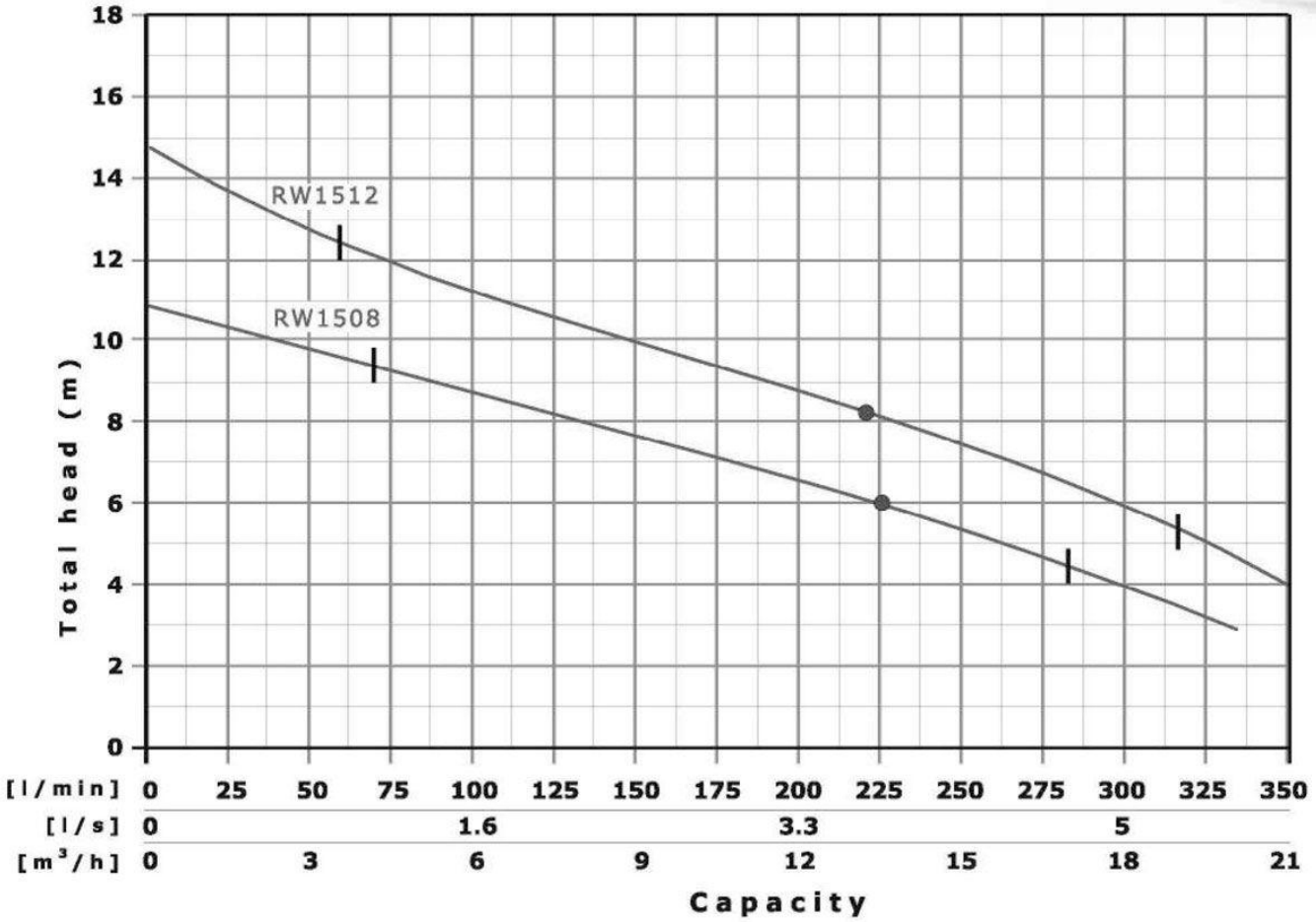
**Specifications**

- Capacity up to 20 m<sup>3</sup>/h
- Head up to 13 m
- Free passage ø 38 mm
- Power 1~ up to 0,9 kW
- Power 3~ up to 0,9 kW
- Discharge outlet: 1 1/2" BSP
- Max. water temperature: 40° C
- Max. starts per hour: 30
- pH of pumped liquid: 6/11
- Max. Immersion depth: 20 m
- Available in standard-, explosion-proof and low voltage version
- Single-phase models are also available with float switch

**Materials**

- Made of high quality engineering cast iron
- Vortex impeller
- Dry chamber motor - insulation class F, IP68 protection
- Rotor supported by long-life self-lubricated roller bearings
- Mechanical ceramic/tungsten seal protected by rubber radial lip seal
- Condenser for the single-phase versions:
  - RW1500: placed in proper "Schuko" plug with thermal protection and manual restarting
  - RW1500-Ex : supplied as kit with submersible pump for installation in regular equipment
  - RW1500-BT: placed in the condenser box with remote control and general switch

Neoprene H07RN-F cable, with brass cable clamps, 5 m long (10 m long for RW1500-Ex)

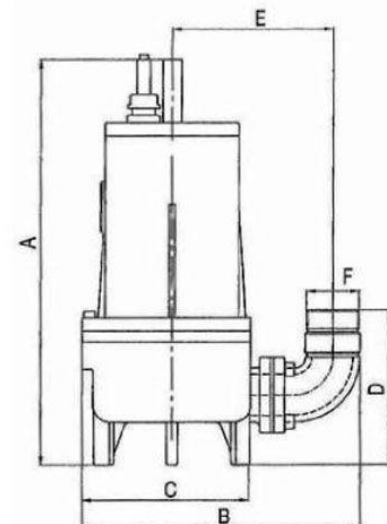


**Pump Model RW 1500 1 1/2"**

Type	A	B	C	D	E	F	Free passage mm	Ø Impeller mm	Weight kg
RW 1508 - 2	350	260	144	130	163	1 1/2"	38	110	17
RW 1512 - 2	350	260	144	130	163	1 1/2"	38	126	18

**Pump Model RW 1500 1 1/2"**

Type	kW	Ampere		R.P.M.	
		230V S	400V T	S	T
RW 1508 - 2	0.6	4.7	1.8	2820	2770
RW 1512 - 2	0.9	6.5	2.2	2830	2830



RW 2000



AlmaPompe



#### Application

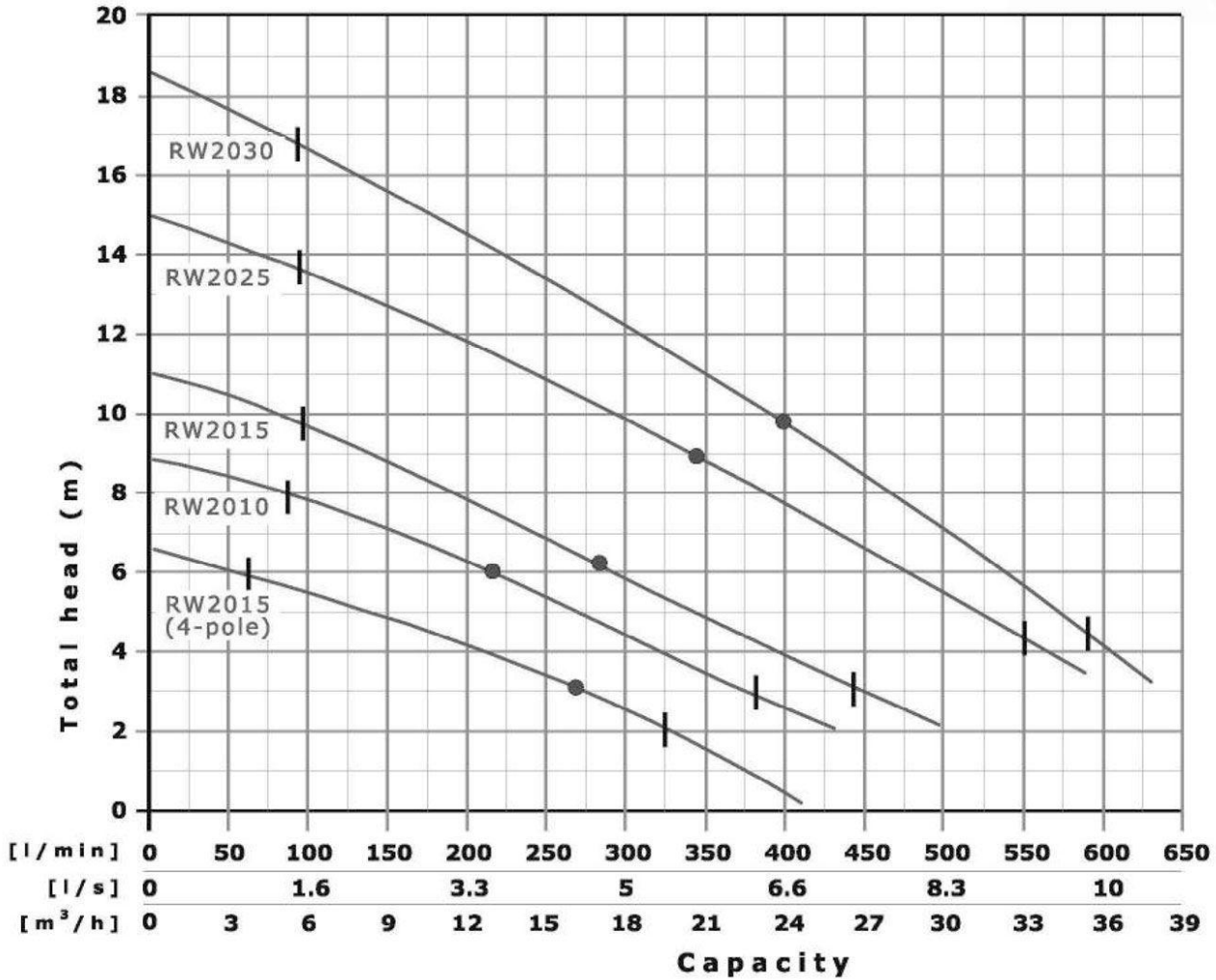
- For continuous operation the pump must be submerged for 2/3 of its height.
- Suitable for fixed installation with coupling foot; portable installations with quick rails, suspended or rested.

#### Specifications

- Capacity up to 36 m<sup>3</sup>/h
- Head up to 17 m
- Free passage 42 mm
- Power 1~ up to 1,1 kW
- Power 3~ up to 2,2 kW
- Discharge outlet: DN50
- Max. water temperature: 40 °C
- Max. starts per hour: 30
- pH of pumped liquid: 6/11
- Max. Immersion depth: 20 m
- Starting: DOL
- Available in standard-, explosion-proof - and low voltage version  
For installations with safety regulation (rules CEI 107-43)
- Single phase models are available with float switch

#### Materials

- Made of high quality engineering cast iron
- Vortex impeller
- Dry chamber motor - insulation class F, IP68 protection
- Rotor supported by long-life self-lubricated roller bearings
- Winding protection by double mechanical seal:
  - pump side: silicon carbide/ silicon carbide
  - motor side: carbon/ceramic in oil filled chamber
- On request, the mechanical seal - motor side can be supplied in silicon carbide
- Condenser for the single-phase versions:
  - RW2000: placed in proper "Schuko" plug with thermal protection and manual restarting
  - RW2000-Ex : supplied as kit with submersible pump for installation in regular equipment
  - RW2000-BT: placed in the condenser box with remote control and general switch
- Neoprene H07RN-F cable, with brass cable clamps, 10 m long (5 m long for RW2000-BT)
- The submersible pumps are supplied complete with threaded counter flanges, packings and stainless steel bolts
- Optional:
  - Thermal protection built-in to the motor windings
  - Electric power cable for star-delta starting
  - Mechanical seal probe to detect water ingress into oil chamber

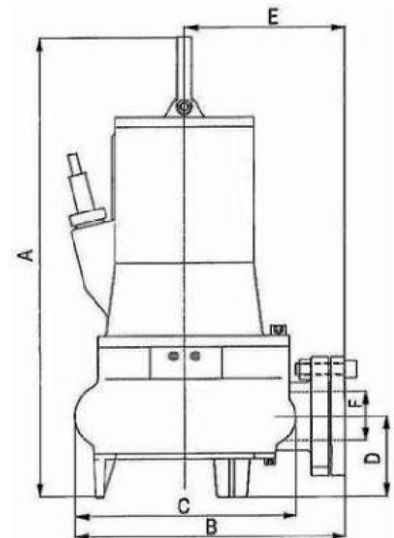


**Pump Model RW 2000 2"**

Type	A	B	C	D	E	F	Free passage mm	Ø Impeller mm	Weight kg
RW 2015 - 4	418	300	220	88	178	2"	45	160	33.5
RW 2010 - 2	418	300	220	88	178	2"	45	100	31.5
RW 2015 - 2	418	300	220	88	178	2"	45	128	31.5
RW 2025 - 2	418	300	220	88	178	2"	45	145	33
RW 2030 - 2	418	300	220	88	178	2"	45	159	34

**Pump Model RW 2000 2"**

Type	kW	Ampere		R.P.M.
		230V S	400V T	
RW 2015 - 4	1.1		3.3	1410
RW 2010 - 2	0.75	7.0	2.8	2810
RW 2015 - 2	1.1	8.2	2.8	2800
RW 2025 - 2	1.8		4.8	2800
RW 2030 - 2	2.2		5.5	2800



# RW 2500



Alma@Pompe



## Application

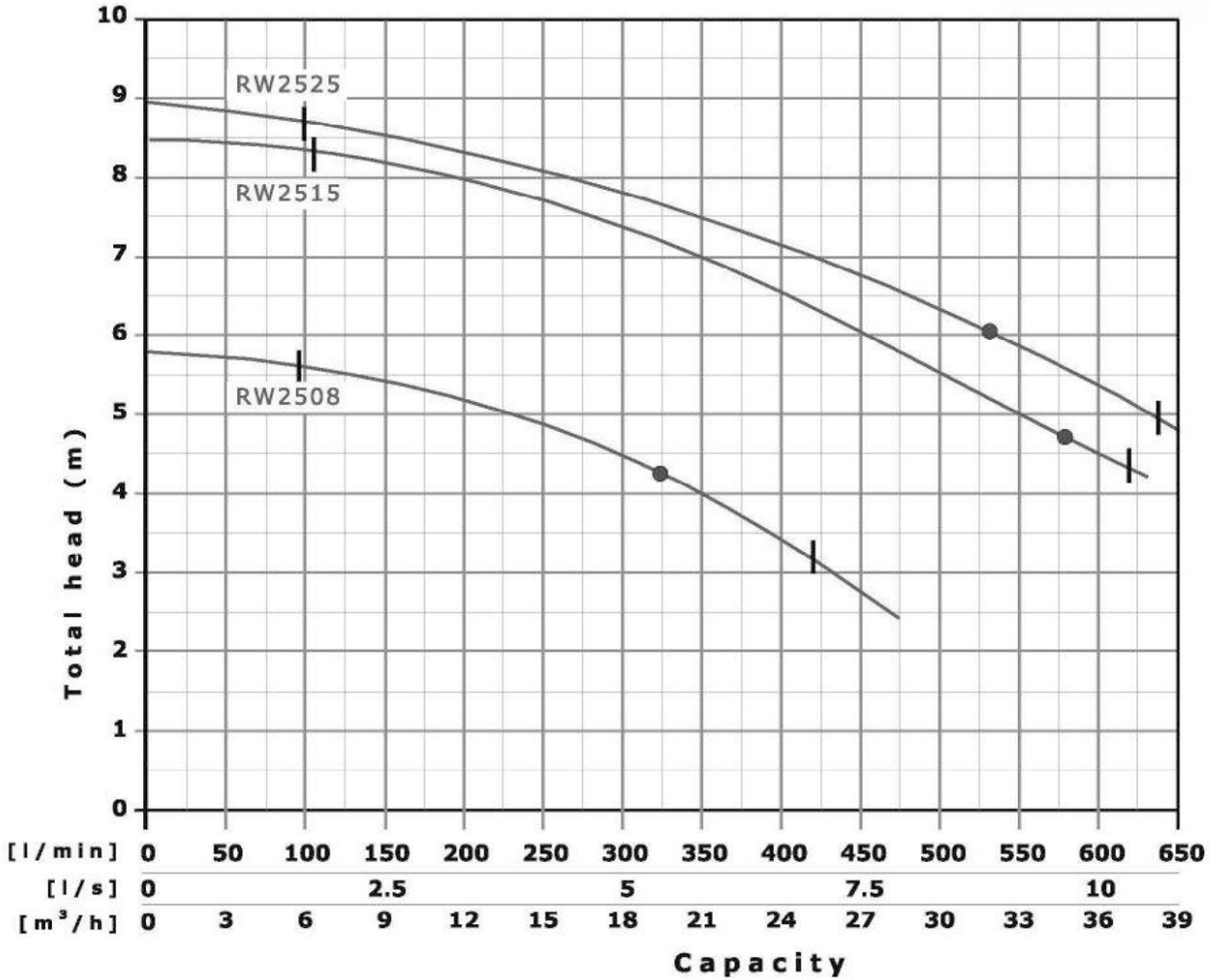
- For continuous operation, the pump must be submerged for 2/3 of its height
- Suitable for fixed installation with coupling foot; portable installations with quick rails, suspended or rested.

## Specifications

- Capacity up to 39 m<sup>3</sup>/h
- Head up to 19 m
- Free passage 64 mm
- Power 1~ up to 0,75 kW
- Power 3~ up to 3 kW
- Discharge outlet: DN65
- Max. water temperature: 40 °C
- Max. starts per hour: 30
- pH of pumped liquid: 6 / 11
- Max. Immersion depth: 20 m
- Starting: DOL
- Condenser for single-phase versions:
  - RW2500: placed in proper "Schuko" plug with thermal protection and manual restarting.
  - RW2500-Ex : supplied as kit with submersible pump for installation in regular equipment.
  - RW2500-BT: placed in the condenser box with remote control and general switch.

## Materials

- Made of high quality engineering cast iron
- Vortex impeller
- Dry chamber motor - insulation class F, IP68 protection.
- Rotor supported by long-life self-lubricated roller bearings
- Winding protection by double mechanical seal:
  - pump-side: silicon carbide / silicon carbide
  - motor side: carbon/ceramic in oil filled chamber
- On request, the mechanical seal - motor side can be supplied in silicon carbide
- Neoprene H07RN-F cable, with brass cable clamps, 10 m long (5 m long for RW2500-BT)
- The submersible pumps are supplied complete with threaded counter flanges, packings and stainless steel bolts.
- Optional:
  - Thermal protection built-in to the motor windings
  - Electric power cable for star-delta starting
  - Mechanical seal probe to detect water ingress into oil chamber

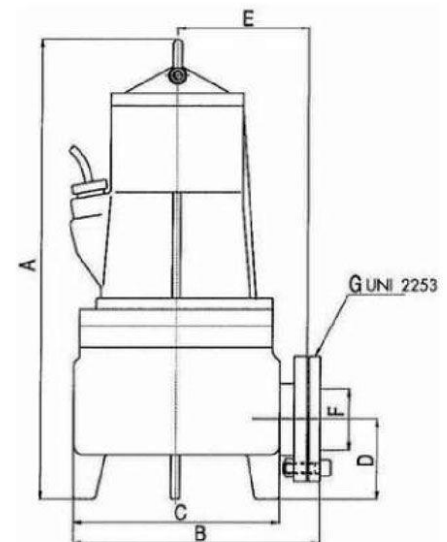


Pump Model RW 2500 2 1/2" (4 pole)

Type	A	B	C	D	E	F	Free passage mm	Ø Impeller mm	Weight kg
RW 2508 - 4	515	260	217	90	145	2 1/2"	64	160	40
RW 2515 - 4	515	260	217	90	145	2 1/2"	64	160	41
RW 2525 - 4	515	260	217	90	145	2 1/2"	64	160	40

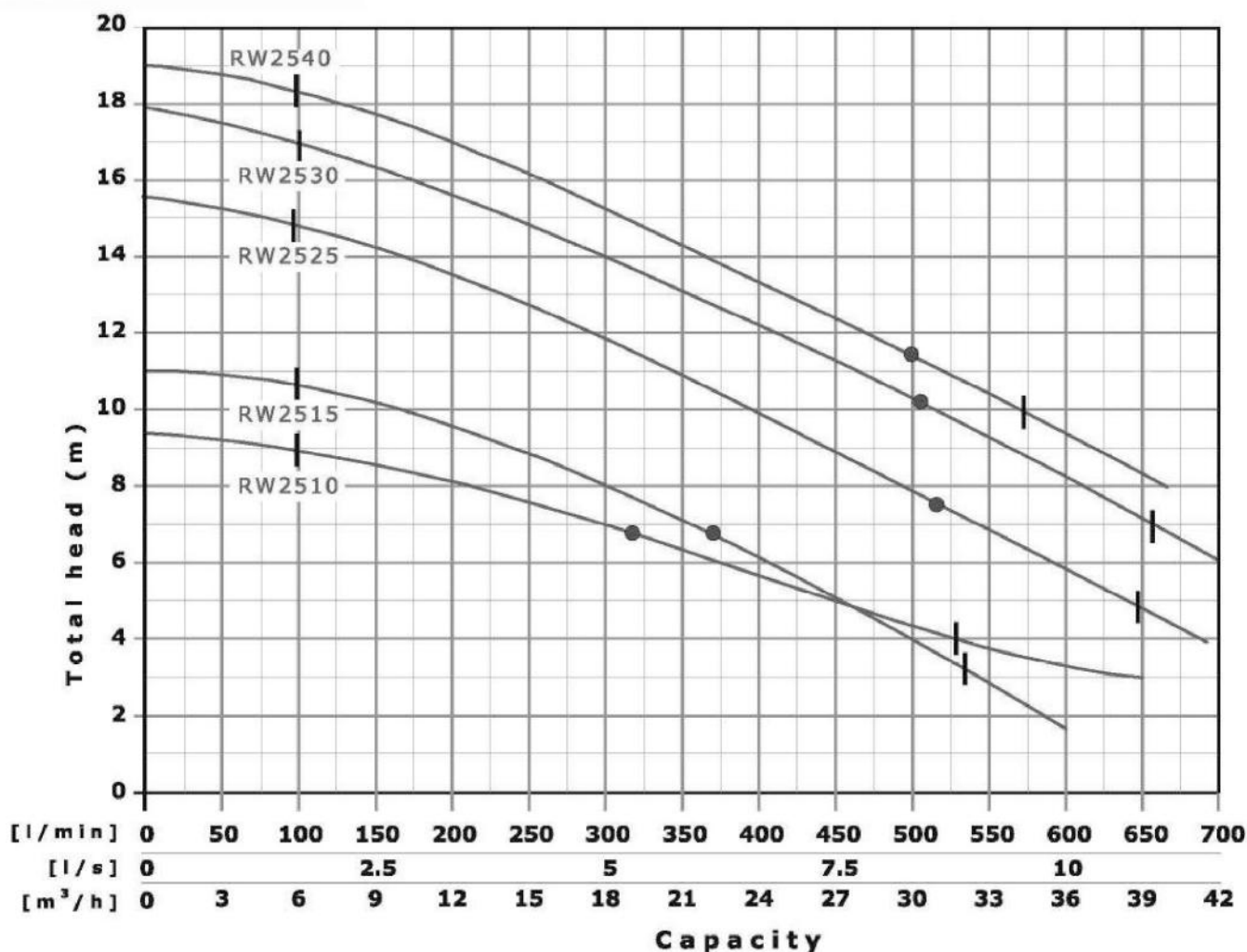
Pump Model RW 2500 2 1/2" (4 pole)

Type	kW	Ampere		R.P.M.
		230V S	400V T	
RW 2508 - 4	0.6	4.6	1.9	1400
RW 2515 - 4	1.1		3.3	1400
RW 2525 - 4	1.8		4.5	1425





# RW 2500 2-pole

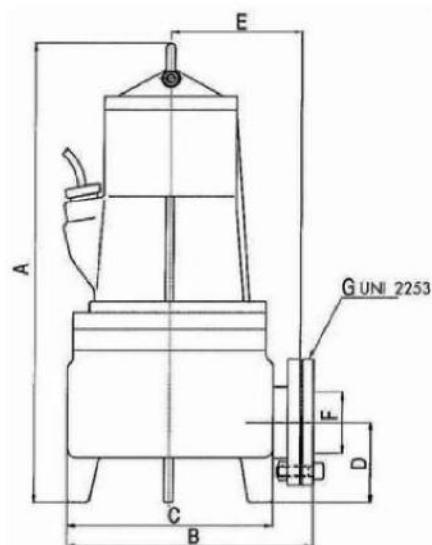


### Pump Model RW 2500 2 1/2" (2 pole)

Type	A	B	C	D	E	F	Free passage mm	Ø Impeller mm	Weight kg
RW 2510 - 2	515	260	217	90	145	2 1/2"	64	105	38
RW 2515 - 2	515	260	217	90	145	2 1/2"	64	110	40
RW 2525 - 2	515	260	217	90	145	2 1/2"	64	130	45
RW 2530 - 2	515	260	217	90	145	2 1/2"	64	137	47
RW 2540 - 2	515	260	217	90	145	2 1/2"	64	152	48

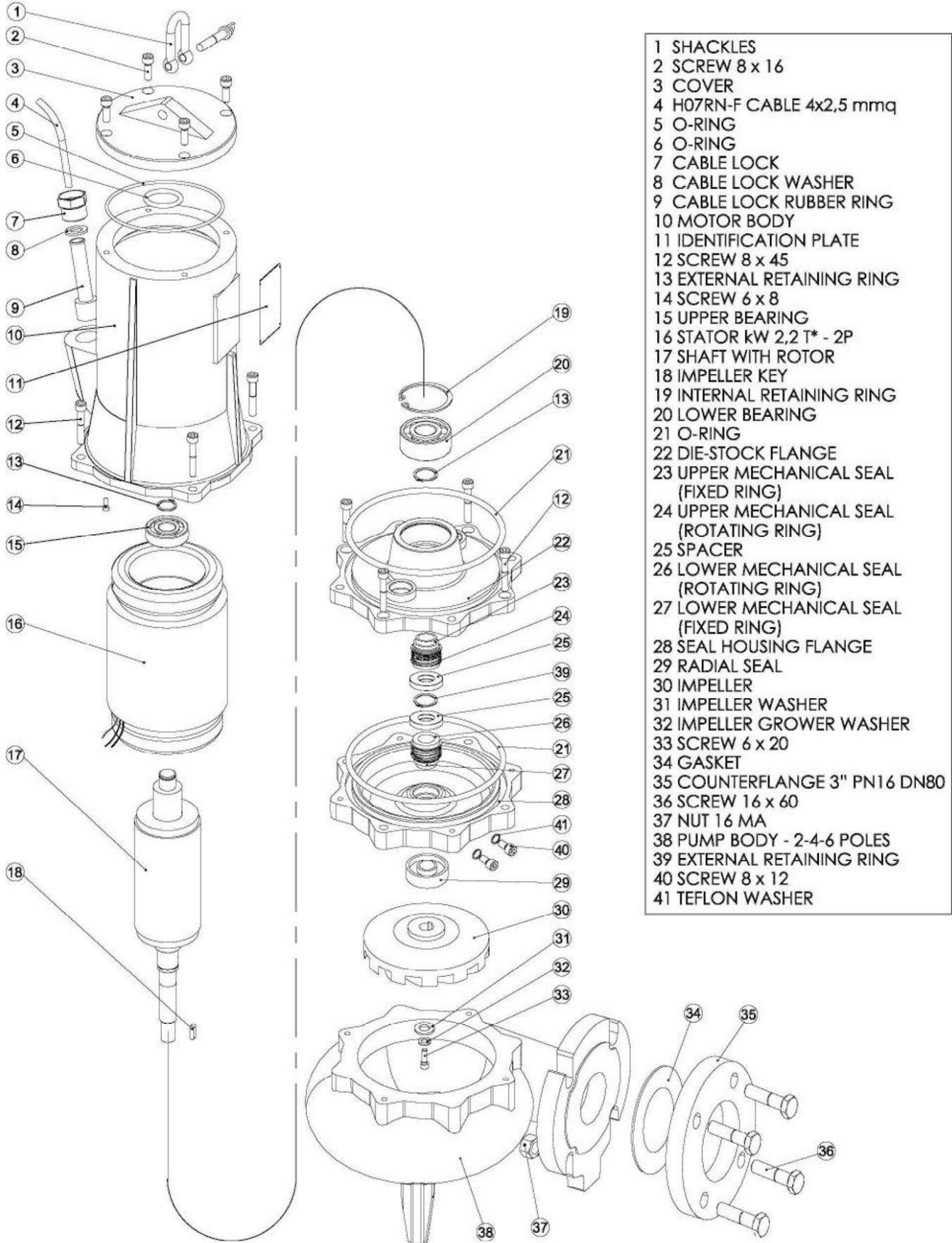
### Pump Model RW 2500 2 1/2" (2 pole)

Type	kW	Ampere		R.P.M.
		230V S	400V T	
RW 2510 - 2	0.75	7.0		2820
RW 2515 - 2	1.1		3.1	2830
RW 2525 - 2	1.8		4.5	2838
RW 2530 - 2	2.2		5.4	2840
RW 2540 - 2	3		6.0	2800





## TYPICAL PUMP EXPLOSION



- 1 SHACKLES
- 2 SCREW 8 x 16
- 3 COVER
- 4 H07RN-F CABLE 4x2,5 mmq
- 5 O-RING
- 6 O-RING
- 7 CABLE LOCK
- 8 CABLE LOCK WASHER
- 9 CABLE LOCK RUBBER RING
- 10 MOTOR BODY
- 11 IDENTIFICATION PLATE
- 12 SCREW 8 x 45
- 13 EXTERNAL RETAINING RING
- 14 SCREW 6 x 8
- 15 UPPER BEARING
- 16 STATOR kW 2,2 T\* - 2P
- 17 SHAFT WITH ROTOR
- 18 IMPELLER KEY
- 19 INTERNAL RETAINING RING
- 20 LOWER BEARING
- 21 O-RING
- 22 DIE-STOCK FLANGE
- 23 UPPER MECHANICAL SEAL (FIXED RING)
- 24 UPPER MECHANICAL SEAL (ROTATING RING)
- 25 SPACER
- 26 LOWER MECHANICAL SEAL (ROTATING RING)
- 27 LOWER MECHANICAL SEAL (FIXED RING)
- 28 SEAL HOUSING FLANGE
- 29 RADIAL SEAL
- 30 IMPELLER
- 31 IMPELLER WASHER
- 32 IMPELLER GROWER WASHER
- 33 SCREW 6 x 20
- 34 GASKET
- 35 COUNTERFLANGE 3" PN16 DN80
- 36 SCREW 16 x 60
- 37 NUT 16 MA
- 38 PUMP BODY - 2-4-6 POLES
- 39 EXTERNAL RETAINING RING
- 40 SCREW 8 x 12
- 41 TEFLON WASHER





# RW 3000



# Alma@Pompe



### Application

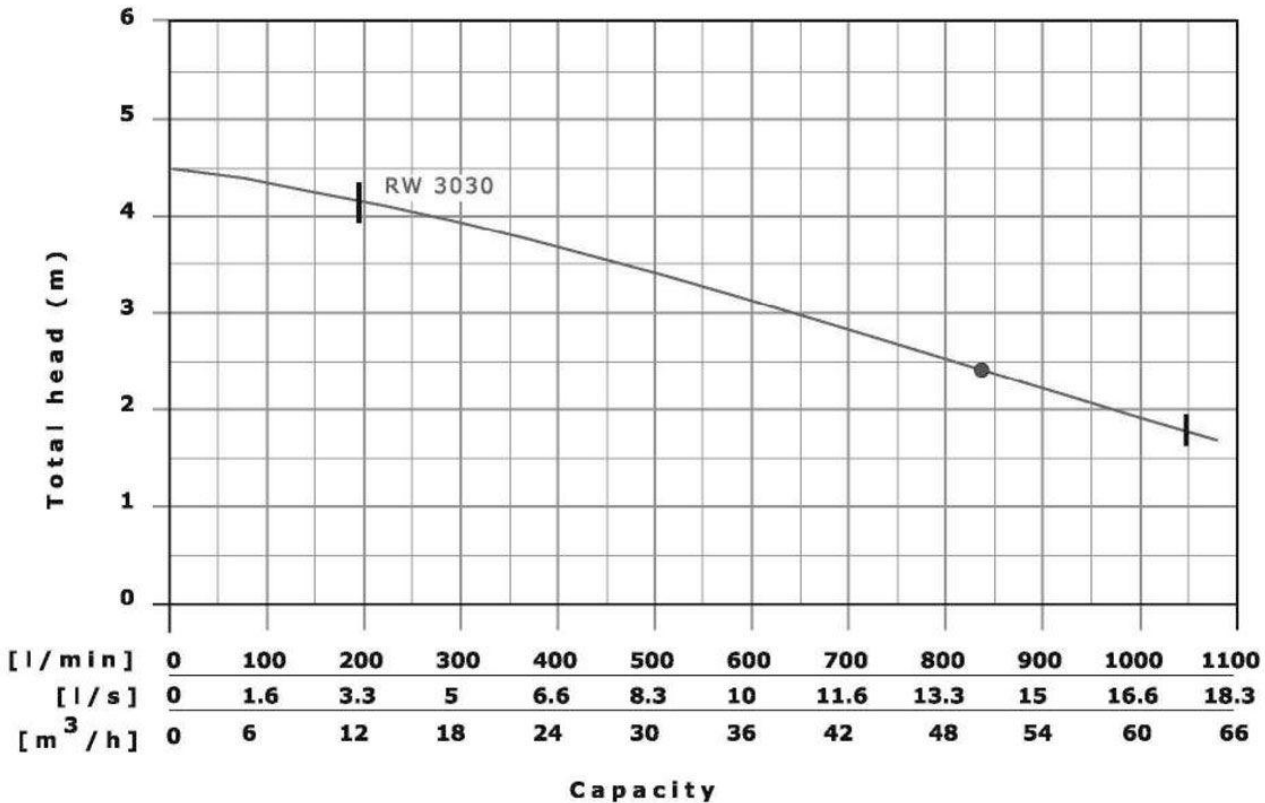
- For continuous operation, the pump must be submerged for 2/3 of its height.
- Suitable for fixed installation with coupling foot; portable installations with quick rails, suspended or rested.

### Specifications

- Capacity up to 85 m<sup>3</sup>/h
- Head up to 24 m
- Free passage 80 mm
- Power up to 5,5 kW
- Discharge outlet: DN80
- Max. water temperature: 40 °C
- Max. starts per hour: 20
- pH of pumped liquid: 6/11
- Max. Immersion depth: 20 m
- Starting: DOL
- Available in standard-, explosion-proof version

### Materials

- Made of high quality engineering cast iron
- Vortex impeller
- Dry chamber motor - insulation class F, IP68 protection
- Rotor supported by long-life self-lubricated roller bearings
- Winding protection by double mechanical seal
  - pump side: silicon carbide/ silicon carbide
  - motor side: carbon/ceramic in oil filled chamber
- On request, the mechanical seal - motor side can be supplied in silicon carbide
- Neoprene H07RN-F cable, with brass cable clamps, 10 m long
- The submersible pumps are supplied complete with threaded counter flanges, packings and stainless steel bolts
- Optional:
  - Thermal protection built-in to the motor windings
  - Electric power cable for star-delta starting
  - Mechanical seal probe to detect water ingress into oil chamber



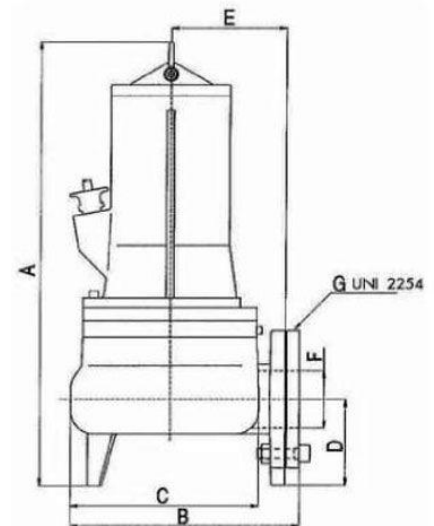
[ l / min ]	0	100	200	300	400	500	600	700	800	900	1000	1100
[ l / s ]	0	1.6	3.3	5	6.6	8.3	10	11.6	13.3	15	16.6	18.3
[ m <sup>3</sup> / h ]	0	6	12	18	24	30	36	42	48	54	60	66

### Pump Model RW 3000 3" (6 pole)

Type	A	B	C	D	E	F	Free passage mm	Ø Impeller mm	Weight kg
RW 3030 - 6	353	110	460	415	300	3"	80	170	70

### Pump Model RW 3000 3" (6 pole)

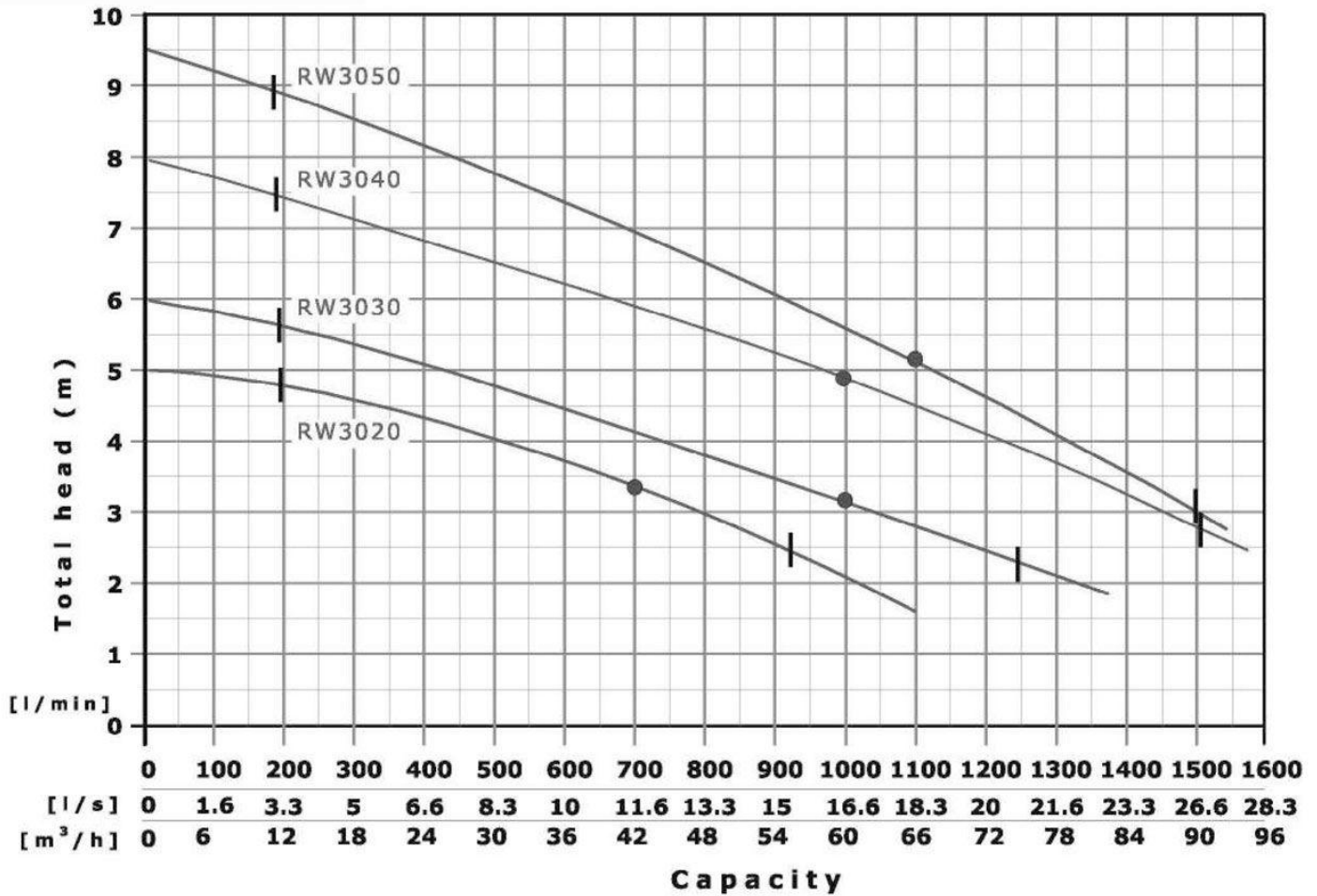
Type	kW	Ampere 400V T	R.P.M.
RW 3030 - 6	1.5	3.9	958



# RW 3000 4-pole



# Alma@Pompe

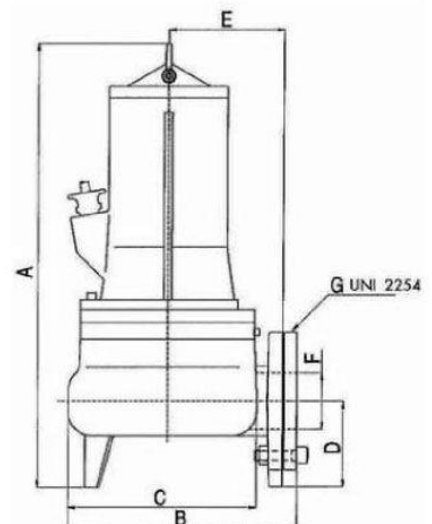


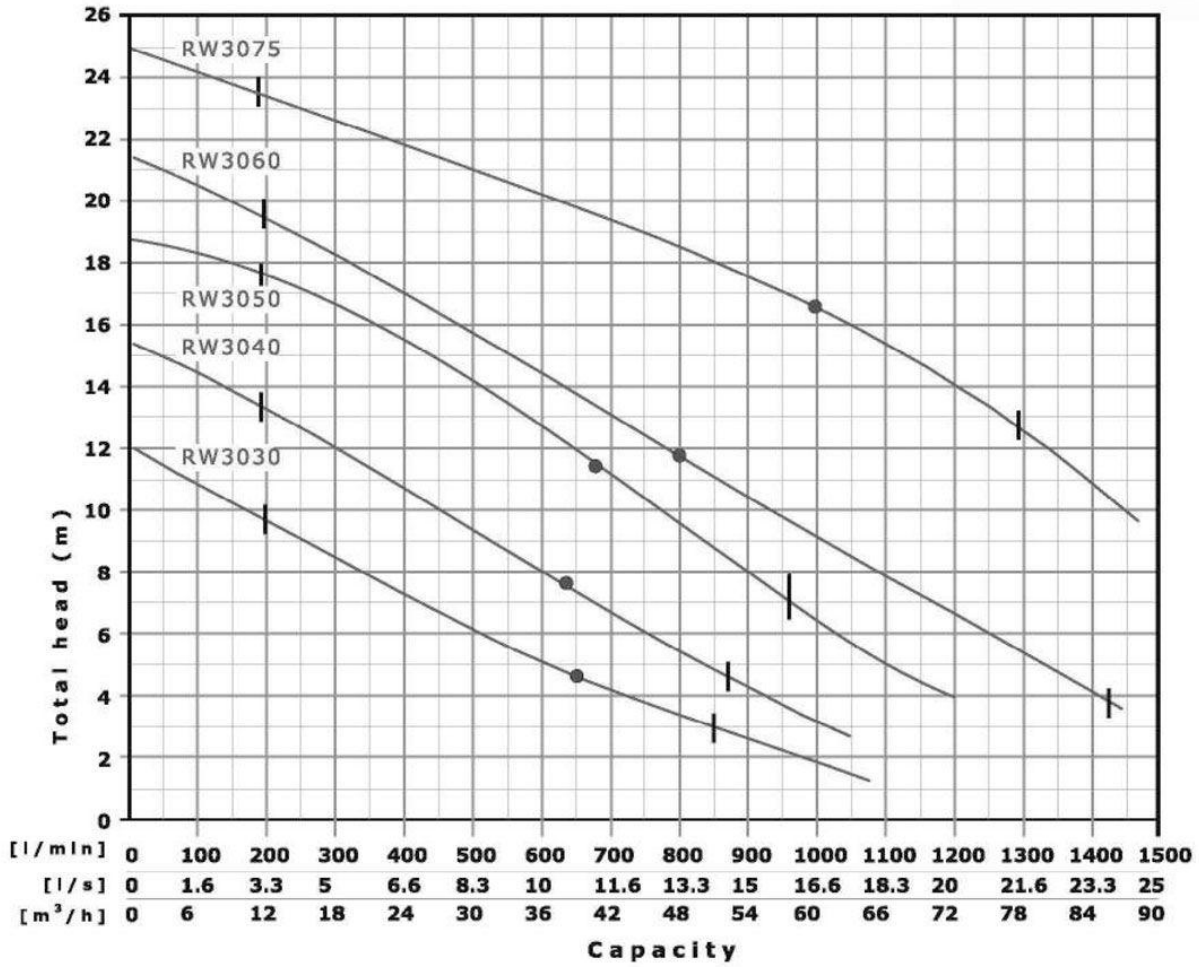
**Pump Model RW 3000 3" (4 pole)**

Type	A	B	C	D	E	F	Free passage mm	Ø Impeller mm	Weight kg
RW 3020 - 4	620	295	270	125	160	3"	79	130	68
RW 3030 - 4	620	295	270	125	160	3"	79	145	70
RW 3040 - 4	620	295	270	125	160	3"	79	160	73
RW 3050 - 4	620	295	270	125	160	3"	79	170	76

**Pump Model RW 3000 3" (4 pole)**

Type	kW	Ampere		R.P.M.
		400V	T	
RW 3020 - 4	1.5	4.1	1440	
RW 3030 - 4	2.2	5.6	1440	
RW 3040 - 4	3	7.4	1440	
RW 3050 - 4	3.7	8.8	1445	



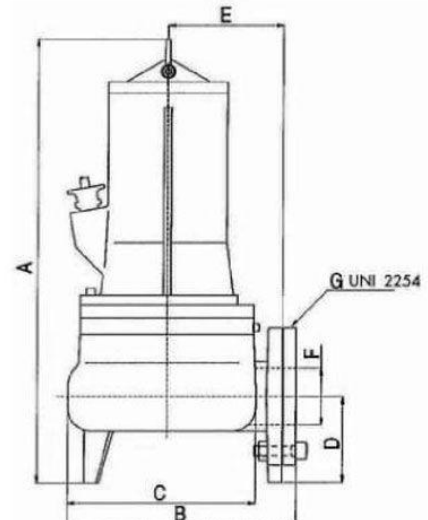


**Pump Model RW 3000 3" (2 pole)**

Type	A	B	C	D	E	F	Free passage mm	Ø Impeller mm	Weight kg
RW 3030 - 2	620	295	270	125	160	3"	80	148	68
RW 3040 - 2	620	295	270	125	160	3"	80	160	70
RW 3050 - 2	620	295	270	125	160	3"	80	163	72
RW 3060 - 2	620	295	270	125	160	3"	80	163	74
RW 3075 - 2	620	295	270	125	160	3"	80	160	76

**Pump Model RW 3000 3" (2 pole)**

Type	kW	Ampere 400V T	R.P.M.
RW 3030 - 2	2.2	5.3	2850
RW 3040 - 2	3	6.5	2830
RW 3050 - 2	3.7	8.5	2890
RW 3060 - 2	4.4	10	2910
RW 3075 - 2	5.5	12	2900





RW 4000



AlmaPompe



### Application

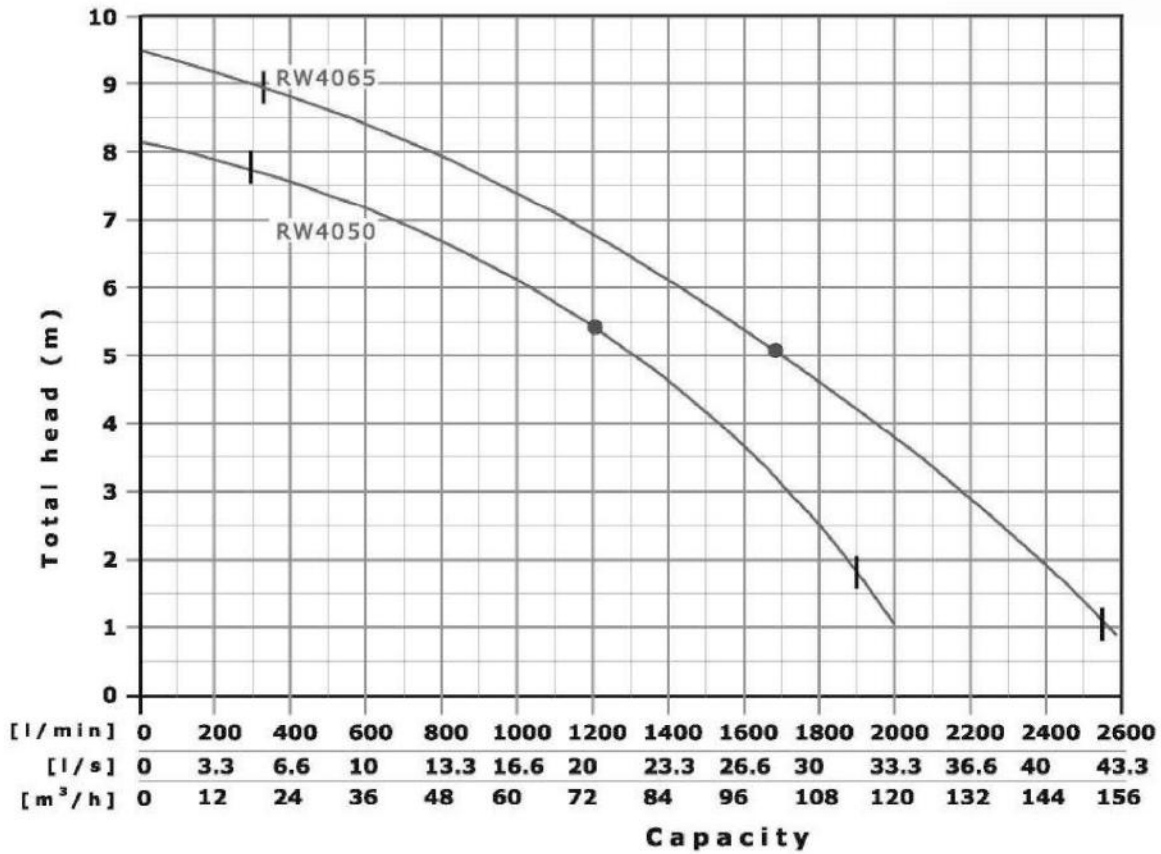
- For continuous operation, the pump must be submerged for 2/3 of its height
- Suitable for fixed installation with coupling foot; portable installations with quick rails, suspended or rested.

### Specifications

- Capacity up to 144 m<sup>3</sup>/h
- Head up to 38 m
- Free passage 98 mm
- Power up to 15 kW
- Discharge outlet: DN100
- Max. water temperature: 40 °C
- Max. starts per hour:
  - 20 ≤ 5,5 kW
  - 15 > 5,5 kW
- pH of pumped liquid: 6 / 11
- Max. Immersion depth: 20 m
- Starting:
  1. D.O.L up to 9 kW  
(on demand:star-delta)
  2. D.O.L. / star-delta over 9 kW
- Available in standard-, explosion-proof version

### Materials

- Made of high quality engineering cast iron
- Vortex impeller
- Dry chamber motor - insulation class F, IP68 protection
- Rotor supported by long-life self-lubricated roller bearings
- Winding protection by double mechanical seal
  - pump side: silicon carbide / silicon carbide
  - motor side: carbon/ceramic in oil filled chamber
- On request, the mechanical seal - motor side can be supplied in silicon carbide
- Neoprene H07RN-F cable, with brass cable clamps, 10 m long
- The submersible pumps are supplied complete with threaded counter flanges, packings and stainless steel bolts
- Optional:
  - Thermal protection built-in to the motor windings
  - Electric power cable for star-delta starting
  - Mechanical seal probe to detect water ingress into oil chamber

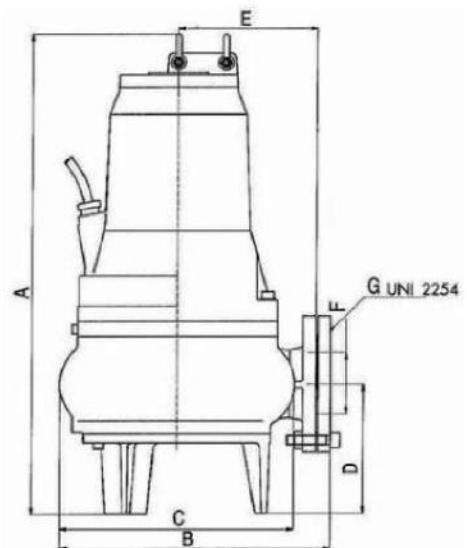


**Pump Model RW 4000 4" (6 pole)**

Type	A	B	C	D	E	F	Free passage mm	Ø Impeller mm	Weight kg
RW 4050 - 6	774	410	366	227	225	4"	98	238	138
RW 4065 - 6	774	410	366	227	225	4"	98	242	143

**Pump Model RW 4000 4" (6 pole)**

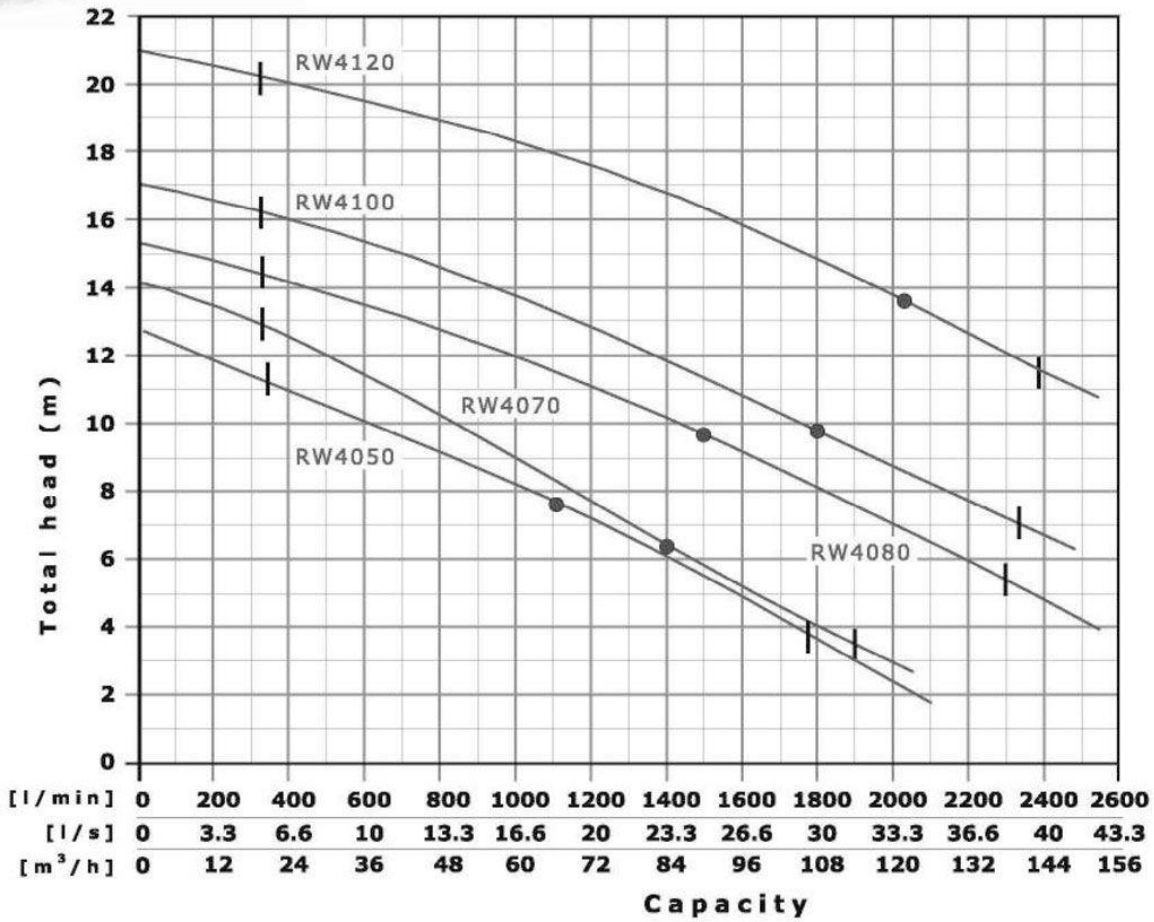
Type	kW	Ampere 400V T	R.P.M.
RW 4050 - 6	3.7	8.5	965
RW 4065 - 6	4.8	11	965





# RW 4000

4-pole

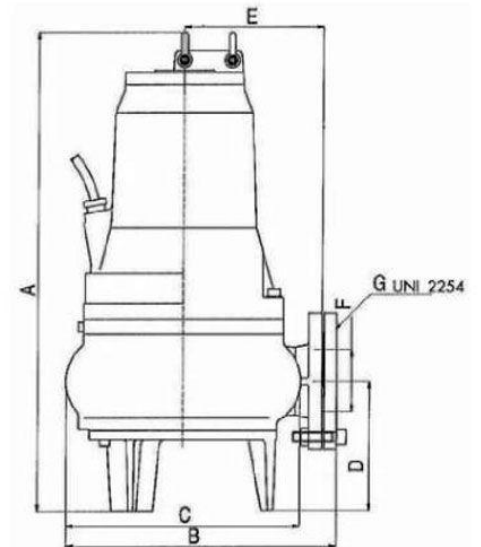


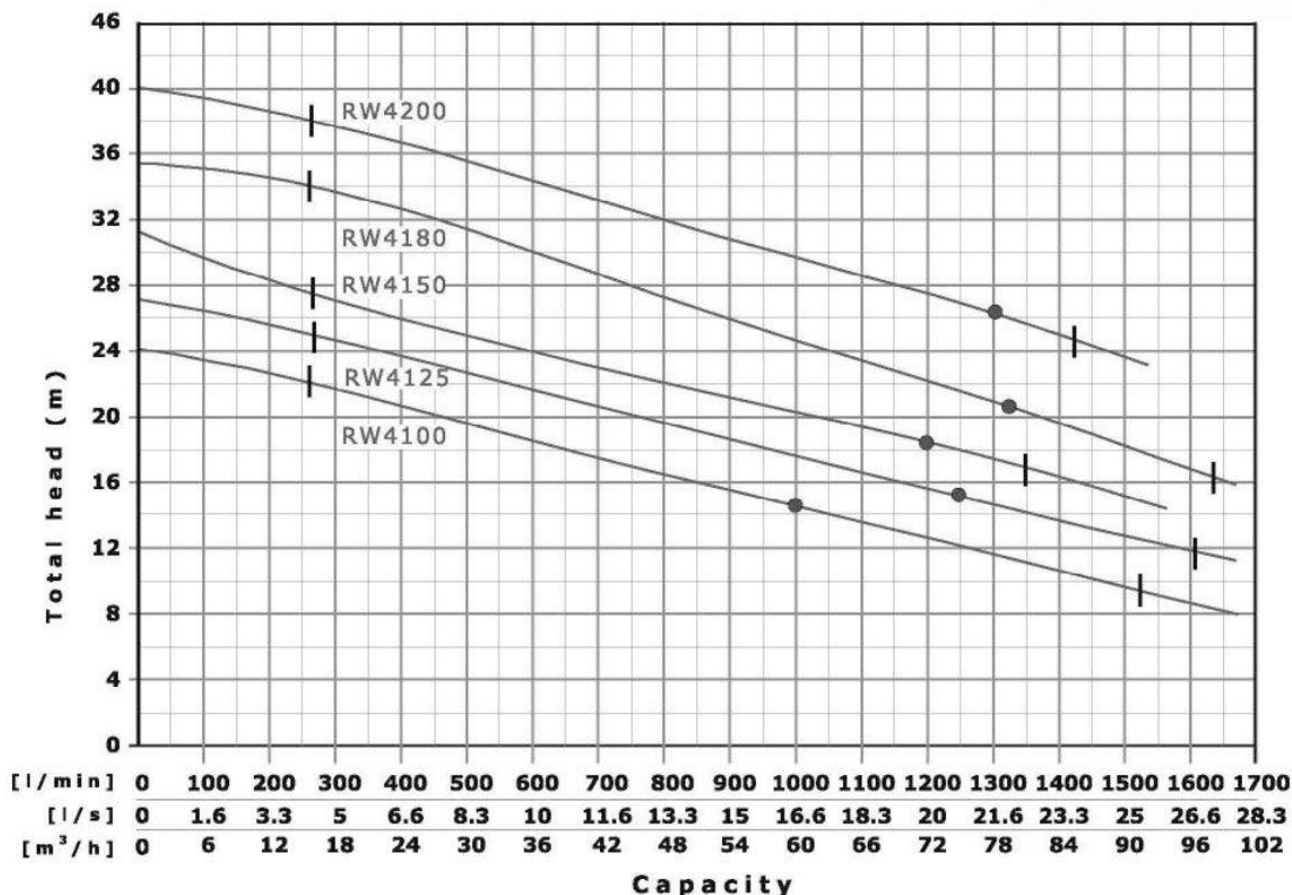
### Pump Model RW 4000 4" (4 pole)

Type	A	B	C	D	E	F	Free passage mm	Ø Impeller mm	Weight kg
RW 4050 - 4	774	410	366	227	225	4"	98	210	138
RW 4070 - 4	774	410	366	227	225	4"	98	230	143
RW 4080 - 4	774	410	366	227	225	4"	98	220	149
RW 4100 - 4	774	410	366	227	225	4"	98	238	158
RW 4120 - 4	874	410	366	227	225	4"	98	242	160

### Pump Model RW 4000 4" (4 pole)

Type	kW	Ampere 400V T	R.P.M.
RW 4050 - 4	3.7	8.7	1430
RW 4070 - 4	5	12	1450
RW 4080 - 4	6	15	1450
RW 4100 - 4	7.5	20	1450
RW 4120 - 4	8.8	24	1450





### Pump Model RW 4000 4" (2 pole)

Type	A	B	C	D	E	F	Free passage mm	Ø Impeller mm	Weight kg
RW 4100 - 2	774	410	366	227	225	4"	83	172	142
RW 4125 - 2	774	410	366	227	225	4"	83	178	148
RW 4150 - 2	874	410	366	227	225	4"	83	188	190
RW 4180 - 2	874	410	366	227	225	4"	83	195	196
RW 4200 - 2	874	410	366	227	225	4"	83	205	200

### Pump Model RW 4000 4" (2 pole)

Type	kW	Ampere 400V T	R.P.M.
RW 4100 - 2	7.5	21	2915
RW 4125 - 2	9.2	26	2930
RW 4150 - 2	11	23	2890
RW 4180 - 2	13	30	2910
RW 4200 - 2	15	31	2920

