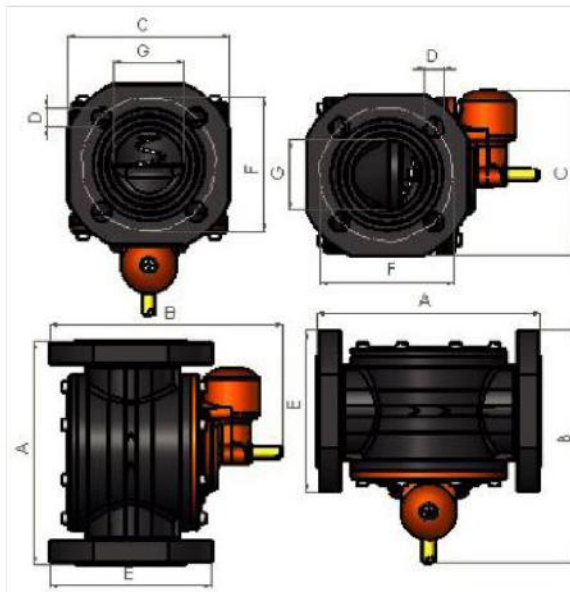


Model	Thread (G)	DN	Working Position	A	B	C	D	E
FM S 20 / FM S 25 / FM S 202 / FM S 252	3/4" - 1" - 3/4" - 1"	20 - 25	Vertical	110	90	53	70	43
FM S 201 / FM S 251 / FM S 203 / FM S 253	3/4" - 1" - 3/4" - 1"	20 - 25	Horizontal	92	92	94	70	43
FM 20/FM25/FM32/FM252/FM322	3/4" - 1" - 1 1/4" - 1" - 1 1/4"	20-25-32	Vertical	145	130	94	90	52
FM251/FM 253/FM321/FM323	1" - 1" - 1 1/4" - 1 1/4"	20-25-32	Horizontal	130	130	125	90	52
FM 40 / FM 50 / FM 402 / FM 502	1 1/2" - 2" - 1 1/2" - 2"	40-50	Vertical	145	145	94	90	52
FM 401 / FM 501 / FM 403 / FM 503	1 1/2" - 2" - 1 1/2" - 2"	40-50	Horizontal	125	145	128	90	52



Model	Size	DN	Working Position	A	B	C	D	E	F	G
FM F 500 / 502 / 650 / 652	2" - 2 1/2"	50-65	Vertical	208	216	150	18	150	124	65
FM F 501 / 503 / 651 / 653	2" - 2 1/2"	50-65	Horizontal	208	216	153	18	150	124	65

# TECHNICAL BULLETIN

## FAY - FM MECHANICAL EARTHQUAKE VALVE

The mechanical earthquake valve that perceives the seismic activity (earthquakes), and automatically shuts off the flow of gas as a result of the perceived activities. This device has been designed to automatically shut off the gas flow due to earthquakes under TS 12884 and ASCE 25-06 standard conditions. When the device is subjected to the momentum range of seismic vibrations given in the standard conditions, the device makes shut-off.

### TECHNICAL SPECIFICATIONS

- Operating Pressure:** 0-501 mbar or 4 bar
- Max. Test Pressure:** 2,5 bar or 20 bar
- Operating Temperature:** -23°C /+60°C
- Thread Length:** min 20 mm
- Gasses:** Natural gaz, LPG, Methane, Propane, Air ...etc Gaseous fluids.  
Gas touched surfaces and body aluminium and brass/other parts aluminium brass and stainless steel .



Model	Thread (G)	DN	Connection Type	Working Position	Working Pressure	Certificate Standard	Working Standard
FM S 20	3 / 4"	20	Threaded	Vertical	501 mbar	CSA / TÜV NORD ITALY (CE)	TSE 12884 & ASCE 25-06
FM S 201	3 / 4"	20	Threaded	Horizontal	501 mbar	CSA / TÜV NORD ITALY (CE)	TSE 12884 & ASCE 25-06
FM S 25	1"	25	Threaded	Vertical	501 mbar	CSA / TÜV NORD ITALY (CE)	TSE 12884 & ASCE 25-06
FM S 251	1"	25	Threaded	Horizontal	501 mbar	CSA / TÜV NORD ITALY (CE)	TSE 12884 & ASCE 25-06
FM 20	3 / 4"	20	Threaded	Vertical	501 mbar	CSA / TÜV NORD ITALY (CE)	TSE 12884 & ASCE 25-06
FM 25	1"	25	Threaded	Vertical	501 mbar	CSA / TSE / TÜV NORD ITALY (CE)	TSE 12884 & ASCE 25-06
FM 251	1"	25	Threaded	Horizontal	501 mbar	TÜV NORD ITALY (CE)	TSE 12884 & ASCE 25-06
FM 252	1"	25	Threaded	Vertical	4 bar	CSA / TÜV NORD ITALY (CE)	TSE 12884 & ASCE 25-06
FM 253	1"	25	Threaded	Horizontal	4 bar	CSA / TÜV NORD ITALY (CE)	TSE 12884 & ASCE 25-06
FM 32	1 1/4"	32	Threaded	Vertical	501 mbar	CSA / TSE / TÜV NORD ITALY (CE)	TSE 12884 & ASCE 25-06
FM 321	1 1/4"	32	Threaded	Vertical	501 mbar	CSA / TÜV NORD ITALY (CE)	TSE 12884 & ASCE 25-06
FM 322	1 1/4"	32	Threaded	Vertical	4 bar	TÜV NORD ITALY (CE)	TSE 12884 & ASCE 25-06
FM 323	1 1/4"	32	Threaded	Horizontal	4 bar	TÜV NORD ITALY (CE)	TSE 12884 & ASCE 25-06
FM 40	1 1/2"	40	Threaded	Vertical	501 mbar	CSA / TSE / TÜV NORD ITALY (CE)	TSE 12884 & ASCE 25-06
FM 401	1 1/2"	40	Threaded	Horizontal	501 mbar	CSA / TÜV NORD ITALY (CE)	TSE 12884 & ASCE 25-06
FM 402	1 1/2"	40	Threaded	Vertical	4 bar	CSA / TÜV NORD ITALY (CE)	TSE 12884 & ASCE 25-06
FM 403	1 1/2"	40	Threaded	Horizontal	4 bar	CSA / TÜV NORD ITALY (CE)	TSE 12884 & ASCE 25-06
FM 50	2"	50	Threaded	Vertical	501 mbar	CSA / TSE / TÜV NORD ITALY (CE)	TSE 12884 & ASCE 25-06
FM 501	2"	50	Threaded	Horizontal	501 mbar	CSA / TÜV NORD ITALY (CE)	TSE 12884 & ASCE 25-06
FM 502	2"	50	Threaded	Vertical	4 bar	CSA / TÜV NORD ITALY (CE)	TSE 12884 & ASCE 25-06
FM 503	2"	50	Threaded	Horizontal	4 bar	CSA / TÜV NORD ITALY (CE)	TSE 12884 & ASCE 25-06
FM F 500	2"	50	Flange	Vertical	501 mbar	TÜV NORD SYSTEM (CE 0045)	TSE 12884 & ASCE 25-06
FM F 501	2"	50	Flange	Horizontal	501 mbar	TÜV NORD SYSTEM (CE 0045)	TSE 12884 & ASCE 25-06
FM F 502	2"	50	Flange	Vertical	4 bar	TÜV NORD SYSTEM (CE 0045)	TSE 12884 & ASCE 25-06
FM F 503	2"	50	Flange	Horizontal	4 bar	TÜV NORD SYSTEM (CE 0045)	TSE 12884 & ASCE 25-06
FM F 650	1 1/2"	65	Flange	Vertical	501 mbar	TÜV NORD SYSTEM (CE 0045)	TSE 12884 & ASCE 25-06
FM F 651	1 1/2"	65	Flange	Horizontal	501 mbar	TÜV NORD SYSTEM (CE 0045)	TSE 12884 & ASCE 25-06
FM F 652	1 1/2"	65	Flange	Vertical	4 bar	TÜV NORD SYSTEM (CE 0045)	TSE 12884 & ASCE 25-06
FM F 653	1 1/2"	65	Flange	Horizontal	4 bar	TÜV NORD SYSTEM (CE 0045)	TSE 12884 & ASCE 25-06