



Specification

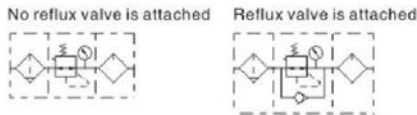
| Model | GC200-06 | GC200-08 | GC300-08 | GC300-10 | GC300-15 | GC400-10 | GC400-15 | GC600-20 | GC600-25 | |
|------------------------|--|----------|----------|----------|----------|----------|----------|----------|----------|----------|
| Fluid | Air | | | | | | | | | |
| Port size | 1/8" | 1/4" | 1/4" | 3/8" | 1/2" | 3/8" | 1/2" | 3/4" | 1" | |
| Filtering grade | 40 μm or 5 μm | | | | | | | | | |
| Pressure range | Semi-auto and automatic drain : 0.15~0.9MPa(20~130Psi) | | | | | | | | | |
| | Manual drain: 0.05~0.9MPa(7~130Psi) | | | | | | | | | |
| Proof pressure | 1.5 MPa(215Psi) | | | | | | | | | |
| Temperature range | -20~70°C | | | | | | | | | |
| Capacity of drain bowl | 10CC | | 40CC | | | 80CC | | 230CC | | |
| Capacity of oil bowl | 25CC | | 75CC | | | 160CC | | 380CC | | |
| Recommended lubricant | ISO VG 32 or equivalent | | | | | | | | | |
| Weight | 580g | | 1300g | | | 2360g | | 5550g | | |
| Constitute | Filter | GF200-06 | GF200-08 | GF300-08 | GF300-10 | GF300-15 | GF400-10 | GF400-15 | GF600-20 | GF600-25 |
| | Regulator | GR200-06 | GR200-08 | GR300-08 | GR300-10 | GR300-15 | GR400-10 | GR400-15 | GR600-20 | GR600-25 |
| | Lubricator | GL200-06 | GL200-08 | GL300-08 | GL300-10 | GL300-15 | GL400-10 | GL400-15 | GL600-20 | GL600-25 |

Ordering code

| GC200 — 08 — M — L — □ — F 1 — W — P — K | |
|--|--|
| Drain type | Blank: Semi-auto drain M: Manual drain A: Automatic drain ① |
| Pressure gauge | Blank: Pressure gauge N: No pressure gauge |
| Filtering grade | Blank: 40 μm W: 5 μm |
| Thread | P: PT T: NPT G: G |
| Model | GC200: G200 Series F.R.L unit GC300: G300 Series F.R.L unit GC400: G400 Series F.R.L unit GC600: G600 Series F.R.L unit |
| Port size | 06: 1/8" 08: 1/4" 10: 3/8" 15: 1/2" 20: 3/4" 25: 1" |
| Type code | Blank: Standard L: Lower pressure ② |
| Pressure gauge shape | F: Square C: Circular |
| Scale | 1: MPa 2: psi 3: bar |
| Code of reflux valve | Blank: No reflux valve is attached K: Reflux valve is attached |

① The function of automatic drain is not available for GC200 series;
② The maximum work pressure of lower pressure type is 0.4MPa(58psi).

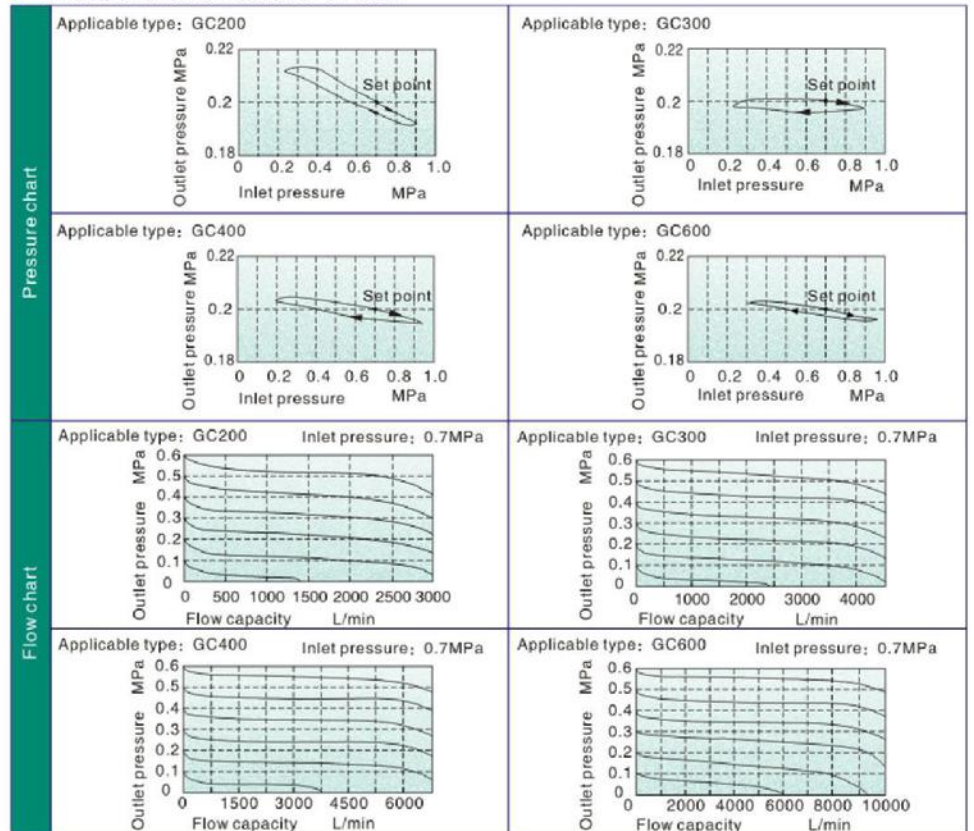
Symbol



Product feature

- Oil dripping adopts gap seal structure, which makes the adjustment of oil supply more reliable;
- Adjustable ring for oil supply can only revolve for one circle. The quantity of oil supply, basically taking on linear distribution. The quantity of oil supply can be generally calculated according to the position of graduation ring;
- It is available to add oil under pressure;
- Special drip nozzle structure will produce negative pressure in oil dripping outlet and the mist flow is minimal;
- Quick and reliable fixation makes it convenient to install and use;
- The performance of pressure adjustment is reliable with high precision;
- The efficiency of eliminating moisture and solid grain is high;
- Three drain types are available: manual drain, semi-auto drain and automatic drain.

Pressure and feature of flow

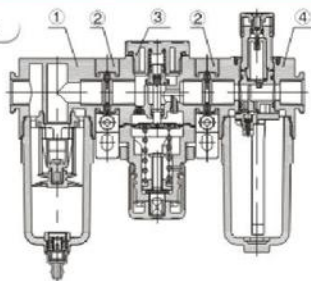


Preparation unit—F.R.L. combination

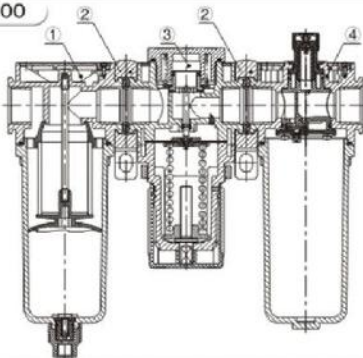
GC Series

Inner structure

GC200



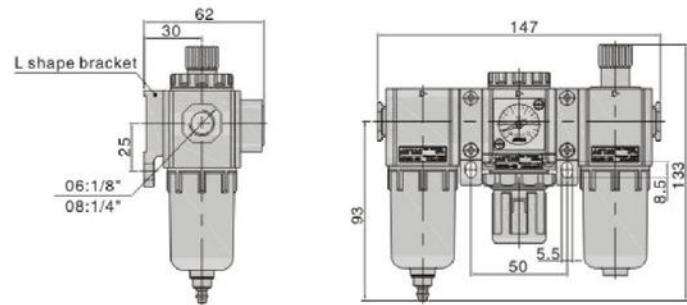
GC600



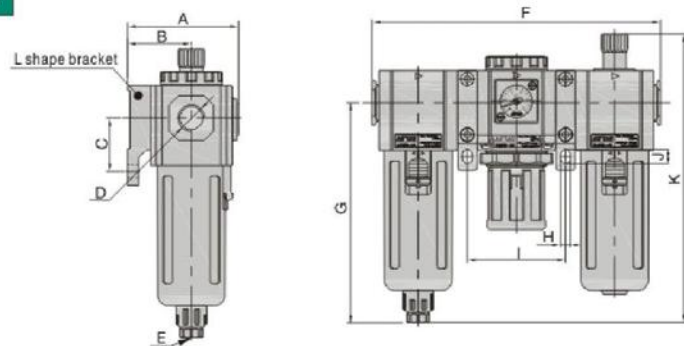
| NO. | Item | NO. | Item |
|-----|-----------------|-----|---------------------|
| ① | G series filter | ③ | G series regulator |
| ② | Bracket | ④ | G series lubricator |

Dimensions

GC200



GC300 GC400



| Model/Item | A | B | C | D | E | F | G | H | I | J | K |
|------------|----|------|----|------|------|-----|-------|-----|----|----|-----|
| GC300-08 | 72 | 41.5 | 35 | 1/4" | G1/8 | 188 | 143 | 6.5 | 64 | 9 | 188 |
| GC300-10 | 72 | 41.5 | 35 | 3/8" | G1/8 | 188 | 143 | 6.5 | 64 | 9 | 188 |
| GC300-15 | 72 | 41.5 | 35 | 1/2" | G1/8 | 188 | 143 | 6.5 | 64 | 9 | 188 |
| GC400-10 | 89 | 50 | 40 | 3/8" | G1/4 | 248 | 166.5 | 8.5 | 84 | 12 | 216 |
| GC400-15 | 89 | 50 | 40 | 1/2" | G1/4 | 248 | 166.5 | 8.5 | 84 | 12 | 216 |

GC600

