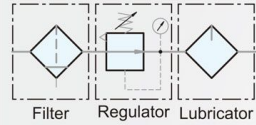


Symbol



Features

- * Remove water and particle effectively.
- * 40 μ m and 5 μ m filter element are easily interchangeable and replaceable.
- * Accurate and easy pressure setting.
- * Lubricator oil can be replenished without stopping air supply.
- * Oil spray in mist ensures good lubrication for machines.
- * Anti-acid & alkali bowl provide excellent protection in organic chemistry working environments. (Please contact our sales for more enquiries.)

How to order

UFRL	-	02	N	C	H	A	SB
F.R.L combination	Port size	Thread	Filtration	Drain	Bowl	Spacer block	
Filter+Regulator+Lubricator	02 1/4"	Blank G	PE Blank 5 μ m	Blank Semi-auto drain	Blank Standard bowl		
	03 3/8"	N NPT	C 40 μ m	H Manual drain	A Anti-acid & alkali bowl		
	04 1/2"	R Rc	Sintered brass S 5 μ m	D Auto drain	AL Aluminum bowl (1/4"~1/2")		
	06 3/4"		T 40 μ m				
	08 1"						

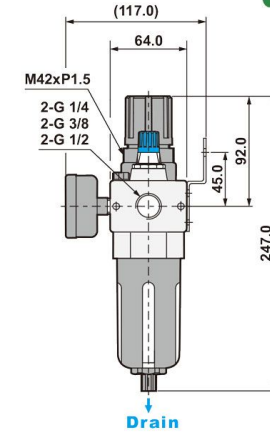
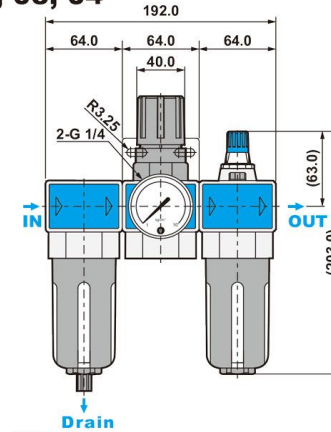
Specifications

※ Note: Please see page 1-72 for ordering spacer block separately.

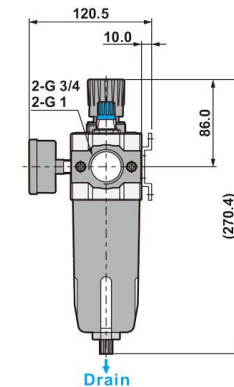
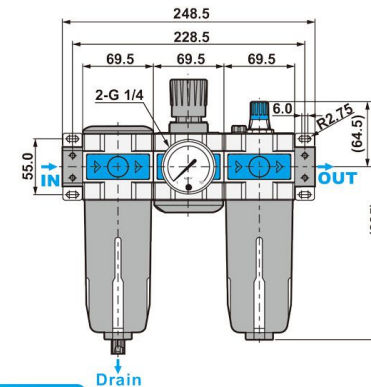
Model	UFRL-02	UFRL-03	UFRL-04	UFRL-06	UFRL-08
Port size	1/4"	3/8"	1/2"	3/4"	1"
Fluid	Compressed air				
Regulator construction	Piston				
Body material	Aluminum die-cast				
Bowl material	Polycarbonate (Standard), Anti-acid & alkali bowl (Option), Aluminum bowl (Option)				
Filtration	PE: 5 μ m (Standard), 40 μ m (Option), Sintered brass (Option): 5 μ m, 40 μ m				
Operating pressure range	0.5 ~ 10 kgf/cm ²				
Proof pressure (Standard bowl)	15 kgf/cm ²				
Max. flow rate l/min (ANR)	2080	2100	2600	7940	8200
Ambient temperature	-10 $^{\circ}$ C ~ 60 $^{\circ}$ C				
Lubricator oil (Recommended)	ISO-VG32				
Filter bowl capacity	105cc		210cc		
Lubricator bowl capacity	125cc		235cc		
Standard drain	Semi-auto drain (Drains below 0.5kgf/cm ²)				
Net weight	1800g (W/I Aluminum bowl 2100g)		2650g		
Accessories	Pressure gauge, Mounting bracket, Plug, Screw x 4				

Dimensions

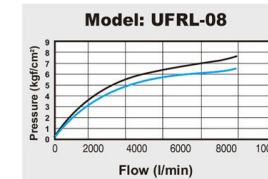
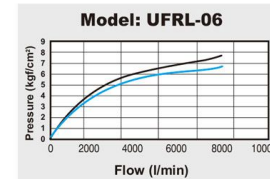
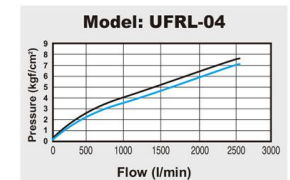
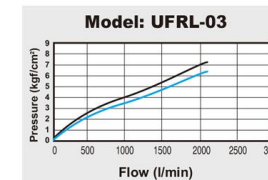
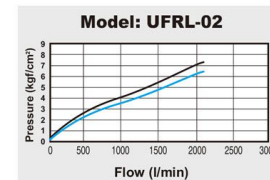
UFRL-02, 03, 04



UFRL-06, 08



Flow chart



Note:
X axis: Flow (l/min)
Y axis: Pressure (kgf/cm²)
Blue line (P0) = Outlet pressure
Black line (P1) = Inlet pressure
P1-P0=Pressure range