







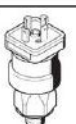

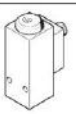

## Pressure and vacuum switches PEV/VPEV



**FESTO**

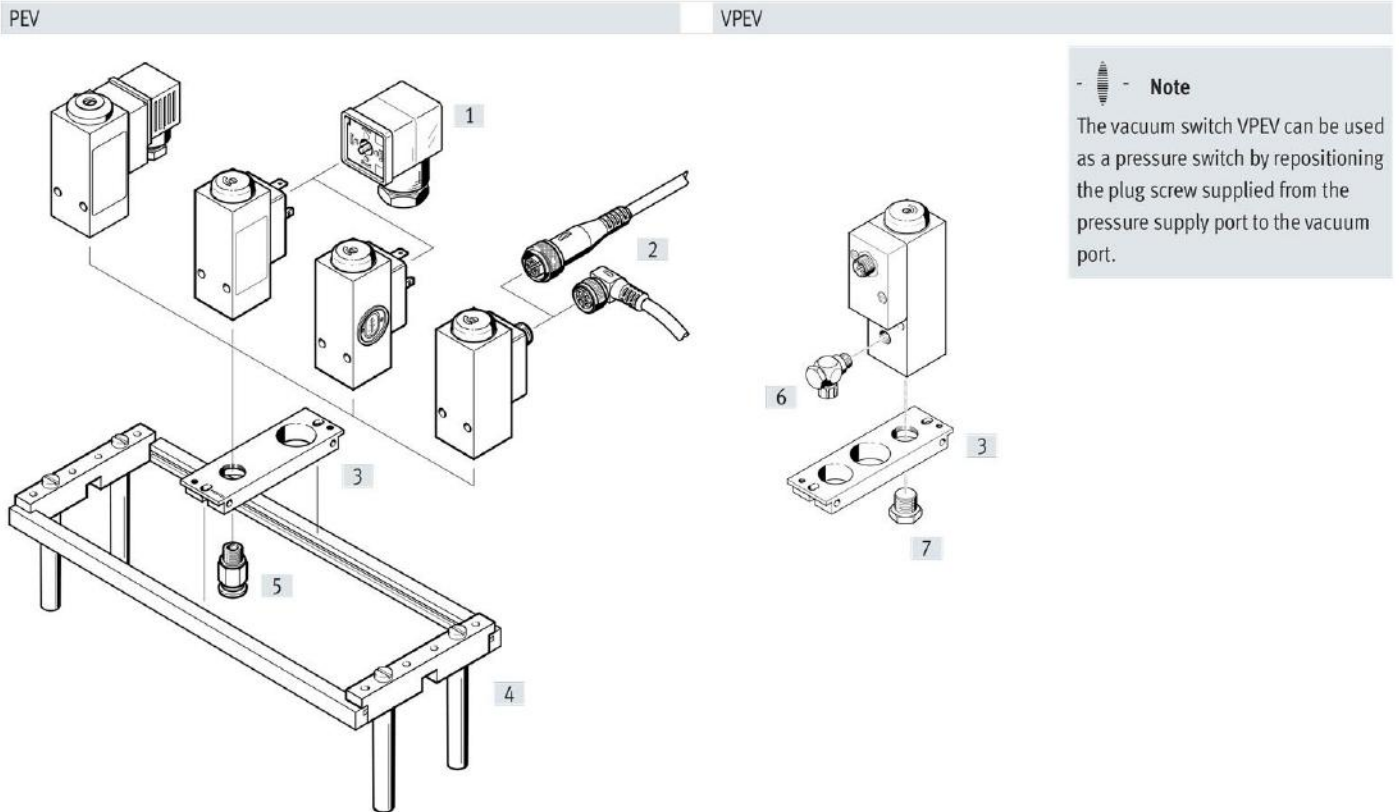


## Product range overview

Function	Version	Type	Operating pressure [bar]	Pneumatic connection	Electrical connection	Max. switching output voltage		→ Page
						[V DC]	[V AC]	
Mechanical pressure switches	<b>Mounting via retaining screws</b>							
		PEV	1 ... 12	G1/4	Plug, type A <sup>1)</sup>	125	250	3
		PEV	1 ... 12	G1/4	Plug, type A	125	250	3
		PEV Visual scale for pressure adjustment	1 ... 12	G1/4	Plug, type A	125	250	3
		PEV	1 ... 12	G1/4	Plug M12x1, 4-pin	48	48	3
	<b>H-rail mounting</b>							
		PEV-W	0 ... 8	M5	Plug M8x1, 4-pin	30	–	11
		PEV-W	0 ... 8	M5	Screw terminal, 4-pin	30	–	11
	<b>Mounting via screw-in thread</b>							
		PEV-SW27	1 ... 10	G1/4	For plug socket PEV-1/4-A-WD	250	250	16
	PEV-SW27	1 ... 10	G1/4	For plug socket PEV-1/4-WD-LED-...	250	250	16	
Mechanical vacuum switches	<b>Mounting via retaining screws</b>							
		VPEV	-1 ... +1.6	G1/8	Plug, type A <sup>1)</sup>	125	250	3
		VPEV	-1 ... +1.6	G1/8	Plug M12x1, 4-pin	48	48	3
	<b>H-rail mounting</b>							
		VPEV-W	-1 ... 0	M5	Plug M8x1, 4-pin	30	–	11
VPEV-W		-1 ... 0	M5	Screw terminal, 4-pin	30	–	11	

1) Plug socket included in the scope of delivery

## Peripherals overview – PEV/VPEV with through-hole



**Note**  
The vacuum switch VPEV can be used as a pressure switch by repositioning the plug screw supplied from the pressure supply port to the vacuum port.

Mounting attachments and accessories	→ Page/Internet
[1] Angled plug socket with switching status indication PEV	20
Plug socket without switching status indication MSSD	25
[2] Connecting cable NEBU-M12	25
[3] Mounting plate APL	23

Mounting attachments and accessories	→ Page/Internet
[4] Mounting frame NRRQ	24
[5] Push-in fitting QS	qs
[6] Quick connector CK-1/8, LCK-1/8	ck
[7] Plug screw VPEV-1/8 (included in the scope of delivery of VPEV)	–

### Type codes – PEV/VPEV with through-hole

001	Series
PEV	Pressure switch
VPEV	Vacuum switch

002	Pneumatic connection
1/8	G1/8
1/4	G1/4

003	Generation
	None
B	Series B

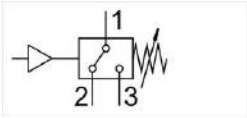
004	Electrical connection
	Plug, type A, square design, to EN 175301-803
M12	Plug M12x1, 4-pin, round design, to EN 60947-5-2

005	Setting options
	None
SC	Scale for pressure setting

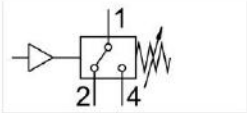
006	Plug socket
	Included in the scope of delivery
OD	Not included in the scope of delivery

## Datasheet – PEV/VPEV with through-hole

Function  
PEV/VPEV



PEV/VPEV...-M12



### General technical data

Type	PEV-1/4-B(-OD)	PEV-1/4-SC-OD	PEV-1/4-B-M12	VPEV-1/8	VPEV-1/8-M12
<b>General</b>					
Type of mounting	With through-hole				
Mounting position	Any				
Pneumatic connection	G1/4			G1/8	
<b>Input signal/measuring element</b>					
Measured variable	Relative pressure				
Measurement method	Pneumatic/electric pressure transducer				
Pressure measuring range [bar]	-		With setting scale	-	-
	-			-1 ... +1.6	

### Electrical data

Type	PEV-1/4-B(-OD)	PEV-1/4-SC-OD	PEV-1/4-B-M12	VPEV-1/8	VPEV-1/8-M12
<b>Switching output</b>					
Switching element function	Changeover switch				
Max. switching frequency [Hz]	3				
Max. switching output voltage	[V AC]	250	48	250	48
	[V DC]	125	48	125	48
Max. output current [mA]	5000		4000	5000	4000
Minimum load current	[mA]	1 (at 24 V)			
	[mA]	10 (at 10 V)			
	[mA]	100 (at 5 V)			
<b>Electronics</b>					
Utilisation category for inductive load	AC-14				
	DC-13				
Utilisation category for resistive load	AC-12				
	DC-12				
<b>Electromechanics</b>					
Electrical connection	Plug, type A, square design, to EN 175301-803		Plug M12x1, 4-pin, round design, to EN 60947-5-2	Plug, type A, square design, to EN 175301-803	Plug M12x1, 4-pin, round design, to EN 60947-5-2

### Pin allocation

Plug, type A	Pin	Meaning	Plug M12x1, 4-pin	Pin	Meaning
	1	Operating voltage		1	Operating voltage
	2	N/C		2	N/C
	3	N/O contact		3	Not assigned
	4	Earthing		4	N/O contact

## Datasheet – PEV/VPEV with through-hole

Display/operation					
Type	PEV-1/4-B-(OD)	PEV-1/4-SC-OD	PEV-1/4-B-M12	VPEV-1/8	VPEV-1/8-M12
<b>Switching output</b>					
Switching status indication	Yellow LED <sup>1)</sup>			Yellow LED	
Threshold-value setting range	[bar]	1 ... 12		-0.95 ... -0.2	
Threshold-value setting range after modification	[bar]	-		0.16 ... 1.6	

1) PEV-1/4-B-OD

Operating and environmental conditions					
Type	PEV-1/4-B-(OD)	PEV-1/4-SC-OD	PEV-1/4-B-M12	VPEV-1/8	VPEV-1/8-M12
Operating pressure	[bar]	1 ... 12			-1 ... +1.6
	[MPa]	0.1 ... 1.2			-0.1 ... +0.16
Operating medium	Compressed air to ISO 8573-1:2010 [7:--]			Compressed air to ISO 8573-1:2010 [7:4:4]	
	Water			-	
Note on the operating/pilot medium	Lubricated operation possible (in which case lubricated operation will always be required)				
Temperature of medium	[°C]	-20 ... +80			
Ambient temperature	[°C]	-20 ... +80			
Conforms to standard	EN 60947-5-1				
Certification	-	-	c UL us - Recognized (OL)	-	c UL us - Recognized (OL)
	CCC				
CE marking (see declaration of conformity) <sup>1)</sup>	To EU Low Voltage Directive				
UKCA marking (see declaration of conformity) <sup>1)</sup>	To UK regulations for electrical equipment				
LABS (PWIS) conformity	VDMA24364-B1/B2-L				
Degree of protection	IP65				
Corrosion resistance class	CRC <sup>2)</sup>	2 - Moderate corrosion stress			

1) Additional information: [www.festo.com/catalogue/pev](http://www.festo.com/catalogue/pev) → Support/Downloads.

2) Additional information: [www.festo.com/x/topic/kbk](http://www.festo.com/x/topic/kbk)

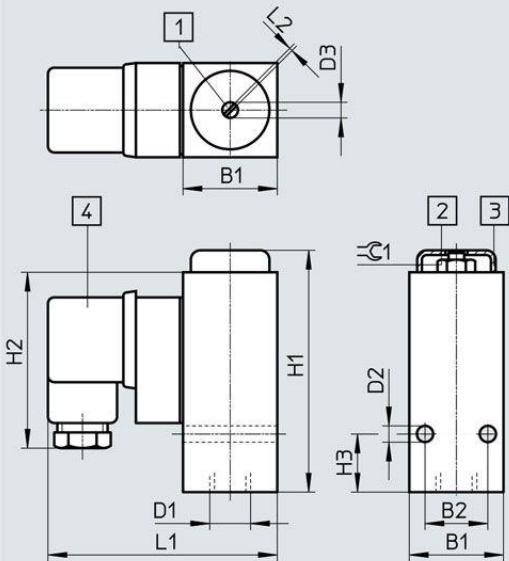
Materials					
Type	PEV-1/4-B-(OD)	PEV-1/4-SC-OD	PEV-1/4-B-M12	VPEV-1/8	VPEV-1/8-M12
Information on housing materials	Die-cast aluminium			Wrought aluminium alloy	
Information on switch contact materials	Silver				
Note on materials	RoHS-compliant				



Datasheet – PEV/VPEV with through-hole

Dimensions – Pressure switch

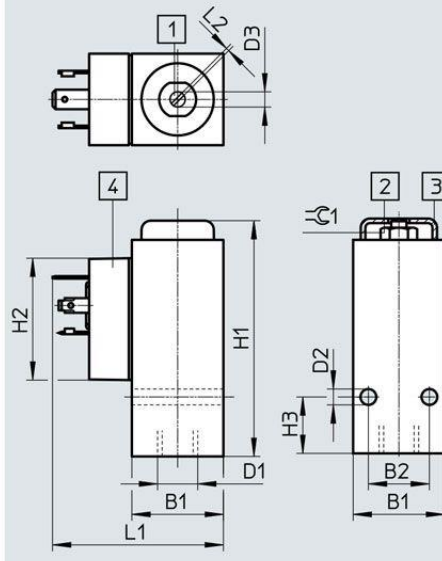
PEV-1/4-B



- [1] Switching point adjusting screw
- [2] Hex nut for adjusting the hysteresis (under protective cap)
- [3] Protective cap
- [4] Push-in connector M16x1.5 to EN 175301-803-A, choice of cable outlet by turning socket insert 4x90°

Download CAD data → [www.festo.com](http://www.festo.com)

PEV-1/4-B-OD

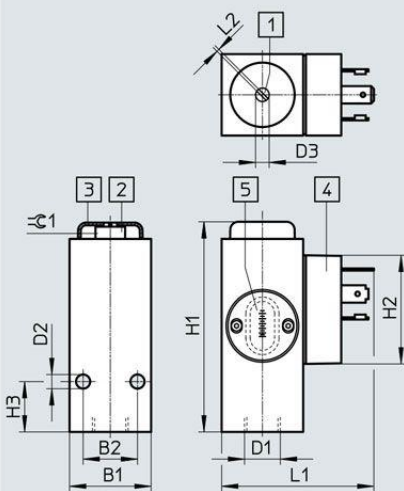


- [1] Switching point adjusting screw
- [2] Hex nut for adjusting the hysteresis (under protective cap)
- [3] Protective cap
- [4] Push-in connector suitable for plug socket M16x1.5 to EN 175301-803-A

Type	B1	B2	D1	D2 ∅	D3	H1	H2	H3	L1	L2	⊕1
PEV-1/4-B	±0.2	±0.1	G1/4	±0.2	min. 5	±0.6	56	±0.5	78	1	11
PEV-1/4-B-OD							40		56		

Dimensions – Pressure switch

PEV-1/4-SC-OD



- [1] Switching point adjusting screw
- [2] Hex nut for adjusting the hysteresis (under protective cap)
- [3] Protective cap
- [4] Push-in connector suitable for plug socket M16x1.5 to EN 175301-803-A
- [5] Scale for reading off the set switching pressure

Download CAD data → [www.festo.com](http://www.festo.com)

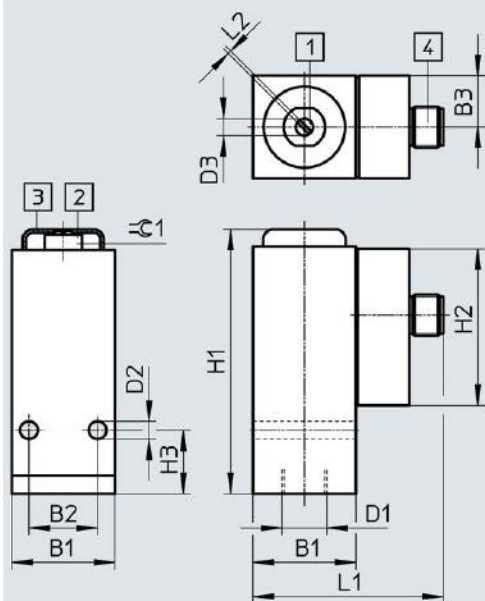
Type	B1	B2	D1	D2 ∅	D3	H1	H2	H3	L1	L2	⊕1
PEV-1/4-SC-OD	±0.2	±0.1	G1/4	±0.2	min. 5	±0.6	40	±0.5	56	1	11

## Datasheet – PEV/VPEV with through-hole

### Dimensions – Pressure switch

Download CAD data → [www.festo.com](http://www.festo.com)

PEV-1/4-B-M12



- [1] Switching point adjusting screw
- [2] Hex nut for adjusting the hysteresis (under protective cap)
- [3] Protective cap
- [4] Connection pattern for plug connector M12x1 to EN 60947-5-2

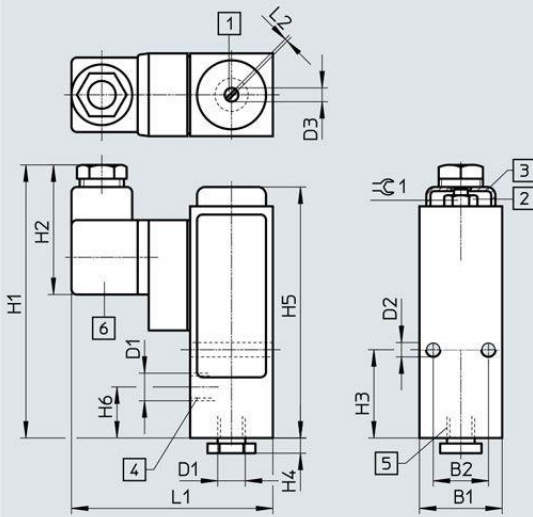
Type	B1	B2	B3	D1	D2 ∅	D3	H1	H2	H3	L1	L2	⊖1
	±0.2	±0.1			±0.2		±0.6		±0.5		±0.2	
PEV-1/4-B-M12	30	20	12.5	G1/4	5.2	min. 5	77.3	40	18.5	55.4	1	11



Datasheet – PEV/VPEV with through-hole

Dimensions – Vacuum switch

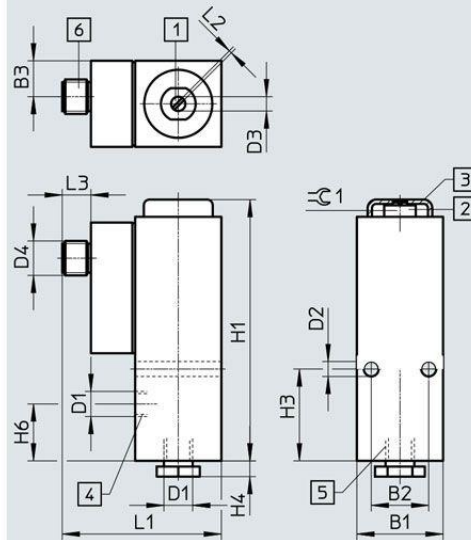
VPEV-1/8



- [1] Switching point adjusting screw
- [2] Hex nut for adjusting the hysteresis (under protective cap)
- [3] Protective cap
- [4] Vacuum port
- [5] Supply port with plug screw
- [6] Push-in connector M16x1.5 to EN 175301-803-A, choice of cable outlet by turning socket insert 4x90°

Download CAD data → [www.festo.com](http://www.festo.com)




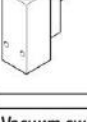


VPEV-1/8-M12



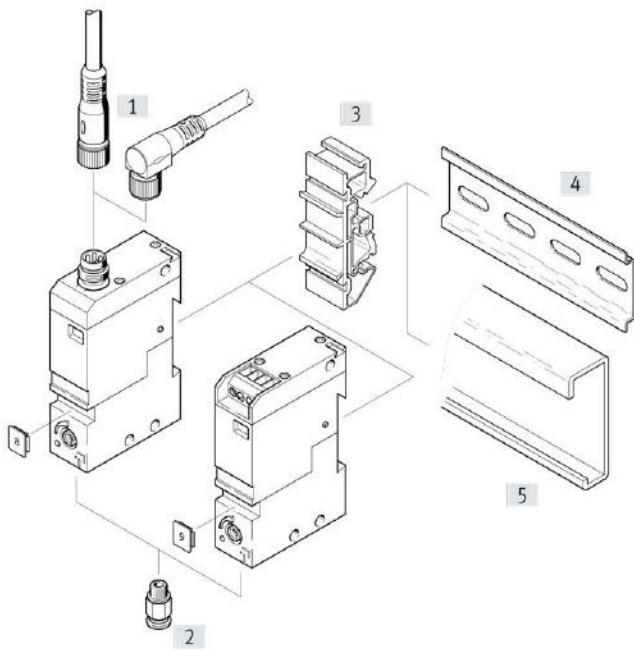
- [1] Switching point adjusting screw
- [2] Hex nut for adjusting the hysteresis (under protective cap)
- [3] Protective cap
- [4] Vacuum port
- [5] Supply port with plug screw
- [6] Connection pattern for plug connector to EN 60947-5-2

Type	B1	B2	B3	D1	D2 ∅	D3	D4	H1	H2	H3	H4	H5	H6	L1	L2	L3	≅G1	
VPEV-1/8	±0.2	±0.1	-0.1	G1/8	5.2	min. 5	-	98	48	±0.1	5.5	91	18.5	78	±0.2	1	-	11
VPEV-1/8-M12			12.5				M12x1	91	-			-		55.4		10		

Datasheet – PEV/VPEV with through-hole

Ordering data					
	Pneumatic connection	Electrical connection	Product weight [g]	Part no.	Type
<b>Pressure switch</b>					
	G1/4	Plug, type A, square design, to EN 175301-803 Plug socket included in the scope of delivery	194	<b>10773</b>	<b>PEV-1/4-B</b>
	G1/4	Plug, type A, square design, to EN 175301-803	194	<b>175250</b>	<b>PEV-1/4-B-OD</b>
	G1/4	Plug, type A, square design, to EN 175301-803	144	<b>161760</b>	<b>PEV-1/4-SC-OD</b>
	G1/4	Plug M12x1, 4-pin, round design, to EN 60947-5-2	194	<b>192488</b>	<b>PEV-1/4-B-M12</b>
<b>Vacuum switch</b>					
	G1/8	Plug, type A, square design, to EN 175301-803 Plug socket included in the scope of delivery	240	<b>150261</b>	<b>VPEV-1/8</b>
	G1/8	Plug M12x1, 4-pin, round design, to EN 60947-5-2	194	<b>192489</b>	<b>VPEV-1/8-M12</b>

Peripherals overview – PEV-W/VPEV-W for H-rail mounting



Mounting attachments and accessories		→ Page/Internet
[1]	Connecting cable NEBU-M8	25
[2]	Push-in fitting QSM-M5	qsm
[3]	Mounting latch PENV	25
[4]	DIN mounting rail NRH to EN 60715	25
[5]	DIN mounting rail NRC to EN 50035	25

### Type codes – PEV-W/VPEV-W for H-rail mounting

001	Series
PEV-W	Pressure switch
VPEV-W	Vacuum switch

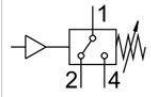
002	Electrical connection
S	Plug M8x1, 4-pin
KL	Screw terminal, 4-pin

003	Switching status indication
LED	Yellow LED

004	Type of mounting
GH	With H-rail or with through-hole

## Datasheet – PEV-W/VPEV-W for H-rail mounting

### Function



### General technical data

Type	PEV-W	VPEV-W
<b>General</b>		
Pneumatic connection	M5	
Type of mounting	With through-hole, with H-rail With H-rail	
Mounting position	Any	
<b>Input signal/measuring element</b>		
Measured variable	Relative pressure	
Measurement method	Pneumatic/electric pressure transducer	
Pressure measuring range [bar]	2 ... 8	-0.8 ... -0.25

### Electrical data

Type	PEV-W-S	PEV-W-KL	VPEV-W-S	VPEV-W-KL
<b>Switching output</b>				
Switching element function	Changeover switch			
Hysteresis [bar]	0.5 ... 2		0.08 ... 0.25	
Max. switching frequency [Hz]	3			
Max. output current [mA]	2500			
Operating voltage range [V DC]	10 ... 30			
<b>Electromechanics</b>				
Electrical connection	Plug M8x1, 4-pin	Screw terminal, 4-pin	Plug M8x1, 4-pin	Screw terminal, 4-pin

### Pin allocation

Plug M8x1, 4-pin	Pin	Meaning	Screw terminal, 4-pin	Pin	Meaning
	1	+ (-)		1	+ (-)
	2	N/C		2	N/C
	3	- (+)		3	- (+)
	4	N/O contact		4	N/O contact

### Display/operation

Type	PEV-W	VPEV-W
<b>Switching output</b>		
Switching status indication	Yellow LED	
Threshold-value setting range [bar]	2 ... 8	-0.8 ... -0.25

## Datasheet – PEV-W/VPEV-W for H-rail mounting

Operating and environmental conditions				
Type	PEV-W-S	PEV-W-KL	VPEV-W-S	VPEV-W-KL
Operating pressure [bar]	0 ... +8		-1 ... 0	
Operating medium	Compressed air to ISO 8573-1:2010 [7:-:-]			
Max. overload pressure	20		8	
Note on the operating/pilot medium	Lubricated operation possible (in which case lubricated operation will always be required)			
Temperature of medium [°C]	0 ... +60			
Ambient temperature [°C]	0 ... +60			
Certification	RCM			
CE marking (see declaration of conformity) <sup>1)</sup>	To EU EMC Directive			
	To EU RoHS Directive			
UKCA marking (see declaration of conformity) <sup>1)</sup>	To UK instructions for EMC			
	To UK RoHS instructions			
Degree of protection	IP65	IP20	IP65	IP20
Corrosion resistance class CRC <sup>2)</sup>	2			

1) Additional information: [www.festo.com/catalogue/pev-w](http://www.festo.com/catalogue/pev-w) → Support/Downloads.

If the devices are subject to usage restrictions in residential, commercial or light-industrial environments, further measures for the reduction of the emitted interference may be necessary.  
In this case, the signal line length needs to be < 30 m.

2) Additional information: [www.festo.com/x/topic/kbk](http://www.festo.com/x/topic/kbk)

Materials	
Information on housing materials	PA, PET, POM
Diaphragm material	NBR
Note on materials	Contains paint-wetting impairment substances RoHS-compliant

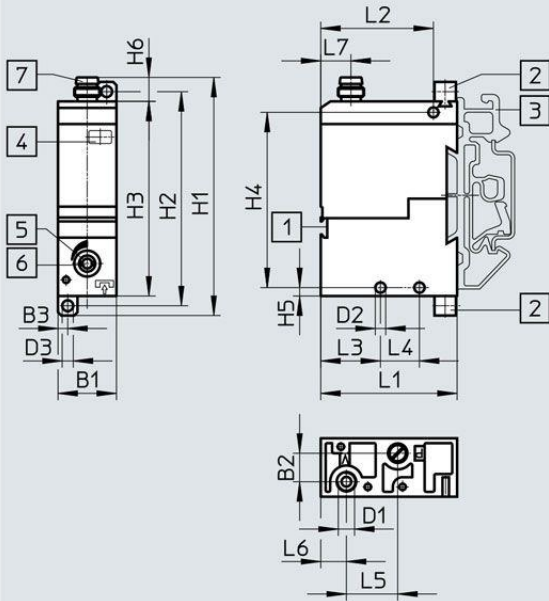


Datasheet – PEV-W/VPEV-W for H-rail mounting

Download CAD data → [www.festo.com](http://www.festo.com)

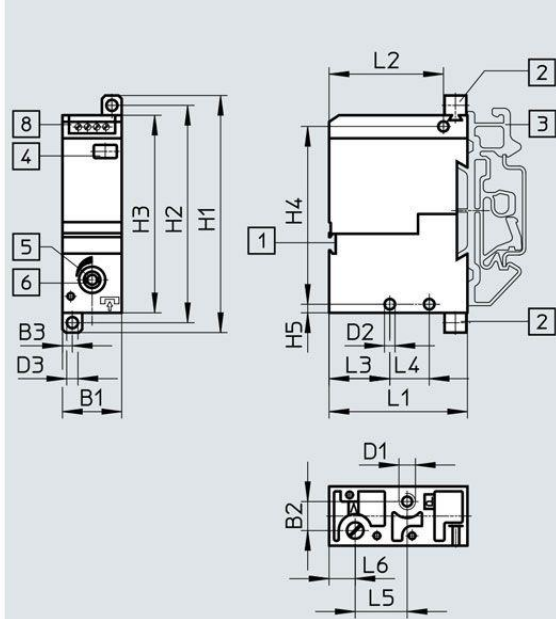
Dimensions

PEV-W-S, VPEV-W-S



- [1] Slot for inscription label
- [2] Foot mounting (included in the scope of delivery)
- [3] Clamping foot for G/H rail
- [4] Switching status indication, yellow
- [5] Switching point adjusting screw
- [6] Manual override
- [7] Integrated plug, fits plug sockets NEBU



PEV-W-KL, VPEV-W-KL



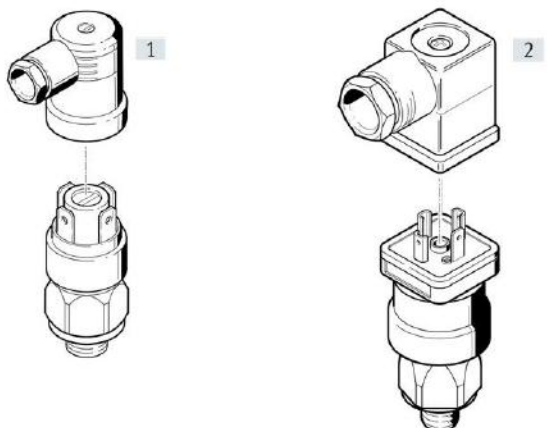
- [1] Slot for inscription label
- [2] Foot mounting (included in the scope of delivery)
- [3] Clamping foot for G/H rail
- [4] Switching status indication, yellow
- [5] Switching point adjusting screw
- [6] Manual override
- [7] Cable terminals

Type	B1	B2	B3	D1	D2 ∅	D3	H1	H2	H3	H4	H5	H6	L1	L2	L3	L4	L5	L6	L7
PEV-W-S, VPEV-W-S	18	8.8	3	M5	3.2	3.4	73.4	66	60	54	2.6	7.4	42	34.7	18.4	12	15.8	7.9	9.3
PEV-W-KL, VPEV-W-KL							72					-							-

Ordering data

	Pneumatic connection	Electrical connection	Product weight [g]	Part no.	Type
 Pressure switch	M5	Plug M8x1, 4-pin	56	152616	PEV-W-S-LED-GH
		Screw terminal, 4-pin	56	152618	PEV-W-KL-LED-GH
 Vacuum switch	M5	Plug M8x1, 4-pin	56	152617	VPEV-W-S-LED-GH
		Screw terminal, 4-pin	56	152619	VPEV-W-KL-LED-GH

Peripherals overview – Pressure switches PEV-SW27, screw-in



Mounting attachments and accessories		→ Page
[1]	Angled plug socket PEV-1/4-A-WD	22
[2]	Angled plug socket PEV-1/4-WD-LED-...	20

## Type codes – Pressure switches PEV-SW27, screw-in

001	Series
PEV	Pressure switch

002	Pneumatic connection
1/4	G1/4

003	Generation
A	Series A

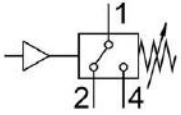
004	Width across flats
SW27	27 mm

005	Electrical connection
	For angled plug socket PEV-1/4-A-WD
B-OD	For angled plug socket PEV-1/4-WD-LED-...

## Datasheet – Pressure switches PEV-SW27, screw-in

### Function



General technical data		
Type	PEV-1/4-A-SW27	PEV-1/4-A-SW27-B-OD
<b>General</b>		
Pneumatic connection	G1/4	
Type of mounting	Screw-in	
Mounting position	Any	
<b>Input signal/measuring element</b>		
Measured variable	Relative pressure	
Measurement method	Pneumatic/electric pressure transducer	
Pressure measuring range	[bar]	1 ... 10

Electrical data		
Type	PEV-1/4-A-SW27	PEV-1/4-A-SW27-B-OD
<b>Switching output</b>		
Switching element function	Changeover switch	
Max. switching frequency	[Hz]	3
Max. switching output voltage	[V AC]	250
	[V DC]	250
Max. output current	[mA]	4000
Operating voltage range	[V DC]	12 ... 250
<b>Electromechanics</b>		
Electrical connection	Plug, 4-pin	

Pin allocation					
PEV-1/4-A-SW27	Pin	Meaning	PEV-1/4-A-SW27-B-OD	Pin	Meaning
	1	Switchable voltage		1	Switchable voltage
	2	N/C		2	N/C
	4	N/O contact		4	N/O contact

Display/operation		
<b>Switching output</b>		
Threshold-value setting range	[bar]	1 ... 10

Materials		
Type	PEV-1/4-A-SW27	PEV-1/4-A-SW27-B-OD
Housing material	Galvanised steel	PA66-GF30 Galvanised steel
Diaphragm material	NBR	

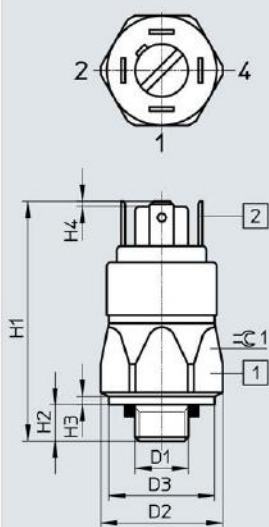
Datasheet – Pressure switches PEV-SW27, screw-in

Operating and environmental conditions		
Type	PEV-1/4-A-SW27	PEV-1/4-A-SW27-B-OD
Operating pressure [bar]	1 ... 10	
Operating medium	Compressed air to ISO 8573-1:2010 [7:-:-]	
Note on the operating/pilot medium	Lubricated operation possible (in which case lubricated operation will always be required)	-
Temperature of medium [°C]	-20 ... +80	
Ambient temperature [°C]	-20 ... +100	-30 ... +100
CE marking (see declaration of conformity) <sup>1)</sup>	To EU Low Voltage Directive	
UKCA marking (see declaration of conformity) <sup>1)</sup>	-	To UK regulations for electrical equipment
LABS (PWIS) conformity	-	VDMA24364-B1/B2-L
Degree of protection	IP65	

1) Additional information: [www.festo.com/catalogue/pev](http://www.festo.com/catalogue/pev) → Support/Downloads.

Dimensions

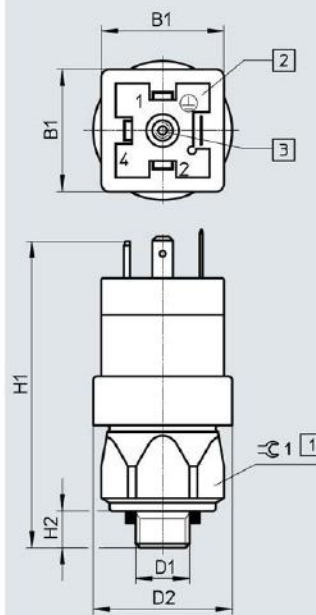
PEV-1/4-A-SW27



- [1] Max. tightening torque 50 Nm
- [2] Integrated plug to DIN 46 244

Download CAD data → [www.festo.com](http://www.festo.com)

PEV-1/4-A-SW27-B-OD



- [1] Max. tightening torque 50 Nm
- [2] Integrated plug to EN 175201-803
- [3] Switching-point adjustment

Type	B1	D1	D2 ∅	D3 ∅	H1	H2	H3	H4	⊕G1
PEV-1/4-A-SW27	-	G1/4	30	26	58	8	2	1.3	27
PEV-1/4-A-SW27-B-OD	30		34	-	74		-	-	

Ordering data

	Pneumatic connection	Electrical connection	Product weight [g]	Part no.	Type
	G1/4	For angled plug socket PEV-1/4-A-WD	138	159259	PEV-1/4-A-SW27
	G1/4	For angled plug socket PEV-1/4-WD-LED-...	900	175252	PEV-1/4-A-SW27-B-OD



## Accessories

### Angled plug socket

#### PEV-1/4-WD-LED-...

For pressure switches PEV-1/4-B-OD,  
PEV-1/4-SC-OD and  
PEV-1/4-A-SW27-B-OD

With integrated LED for switching  
status indication



### General technical data

Type of mounting	With through-hole
Switching status indication	Yellow LED

### Electronics

Type	PEV-1/4-WD-LED-24	PEV-1/4-WD-LED-230
Operating voltage range	[V AC]	–
	[V DC]	15 ... 30
		0 ... 230
		0 ... 180

### Electromechanics

Electrical connection	4-pin, straight socket/screw terminal, angled socket	
Current rating	[A]	8
Current rating at 40°C	[A]	8
Permissible cable diameter	[mm]	4.5 ... 11
Connection cross section	[mm <sup>2</sup> ]	≤ 1.5

### Operating and environmental conditions

Type	PEV-1/4-WD-LED-24	PEV-1/4-WD-LED-230
Ambient temperature	[°C]	–40 ... +90
Certification	RCM	
CE marking (see declaration of conformity)	To EU EMC Directive To EU RoHS Directive	
	–	To EU Low Voltage Directive
UKCA marking (see declaration of conformity)	To UK EMC regulations To UK RoHS regulations	
	–	To UK regulations for electrical equipment
Degree of protection	IP65	

### Materials

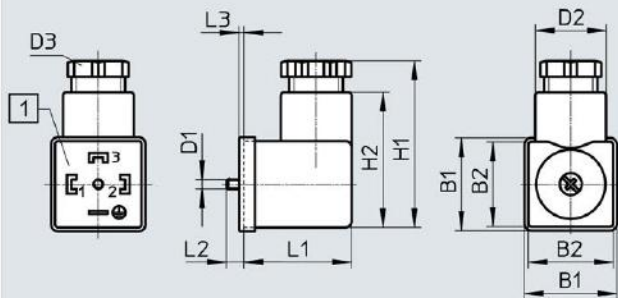
Note on materials	RoHS-compliant
LABS (PWIS) conformity	VDMA24364-B1/B2-L



## Accessories

### Dimensions

Download CAD data → [www.festo.com](http://www.festo.com)



[1] Inserts can be rotated 90°

### Dimensions and ordering data

Type	B1	B2	D1	D2 ∅	D3	H1	H2	L1	L2	L3	Weight [g]	Part no.	Type
PEV...-24	30	27.5	M3	22.5	Pg11	53	43	34.2	5.5	1.5	34	<b>164274</b>	PEV-1/4-WD-LED-24
PEV...-230											34	<b>164275</b>	PEV-1/4-WD-LED-230

## Accessories

### Angled plug socket PEV-1/4-A-WD

For pressure switch

PEV-1/4-A-SW27



#### General technical data

Type of mounting	With through-hole
------------------	-------------------

#### Electromechanics

Electrical connection	Angled socket, 4-pin
-----------------------	----------------------

#### Operating and environmental conditions

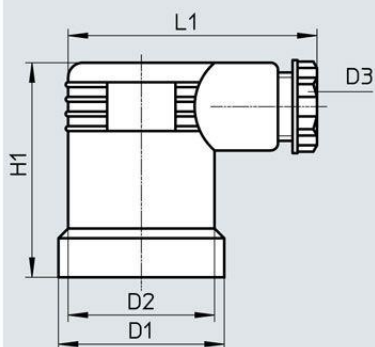
Ambient temperature	[°C]	-40 ... +90
Degree of protection		IP65

#### Materials

Note on materials	RoHS-compliant
-------------------	----------------

#### Dimensions

Download CAD data → [www.festo.com](http://www.festo.com)



#### Dimensions and ordering data

D1	D2	D3	H1	L1	Weight	Part no.	Type
∅	∅				[g]		
34	30	Pg9	44	51	55	161209	PEV-1/4-A-WD

## Accessories

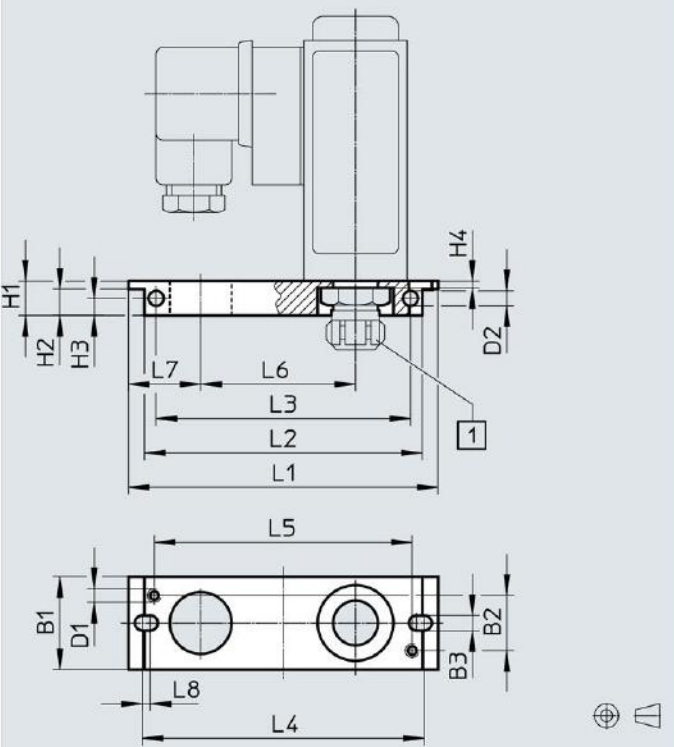
### Mounting plate APL

For pressure switch PEV and vacuum switch VPEV



### Dimensions

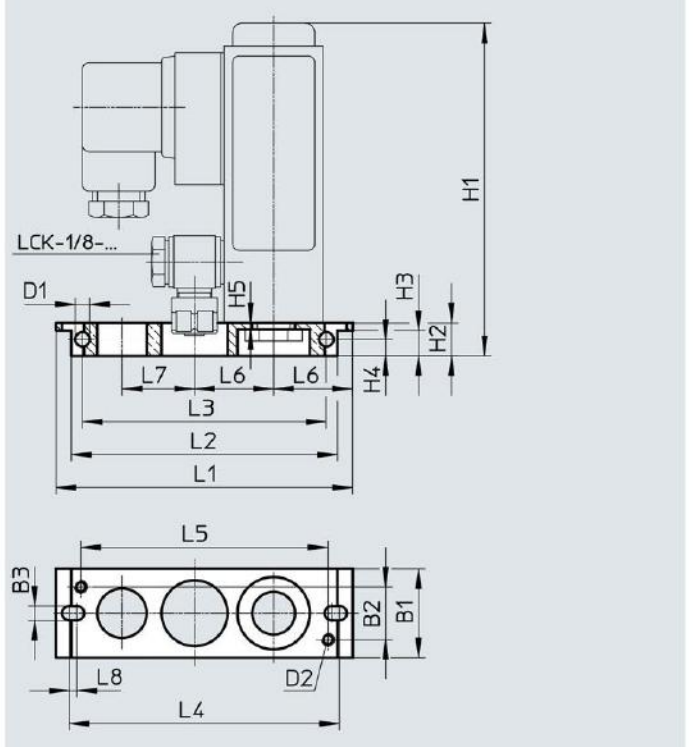
For pressure switch PEV



[1] CK-1/4-...

Download CAD data → [www.festo.com](http://www.festo.com)

For vacuum switch VPEV



### Dimensions and ordering data

	B1	B2	B3	D1	D2	H1	H2	H3	H4	H5	L1
For PEV	27	16	4.4	M4	4.4	10	7.7	5	2	-	88.5
For VPEV				4.4	M4	101	10	7.7	5	2	

	L2	L3	L4	L5	L6	L7	L8	Weight [g]	Part no.	Type
For PEV	80.8	74	82	75	45	21	2.3	18	9349	APL-2N-PEV
For VPEV			81		24	22		18	150218	APL-2N-VPEV

## Accessories

Mounting frame NRRQ  
Mounting bracket NRW

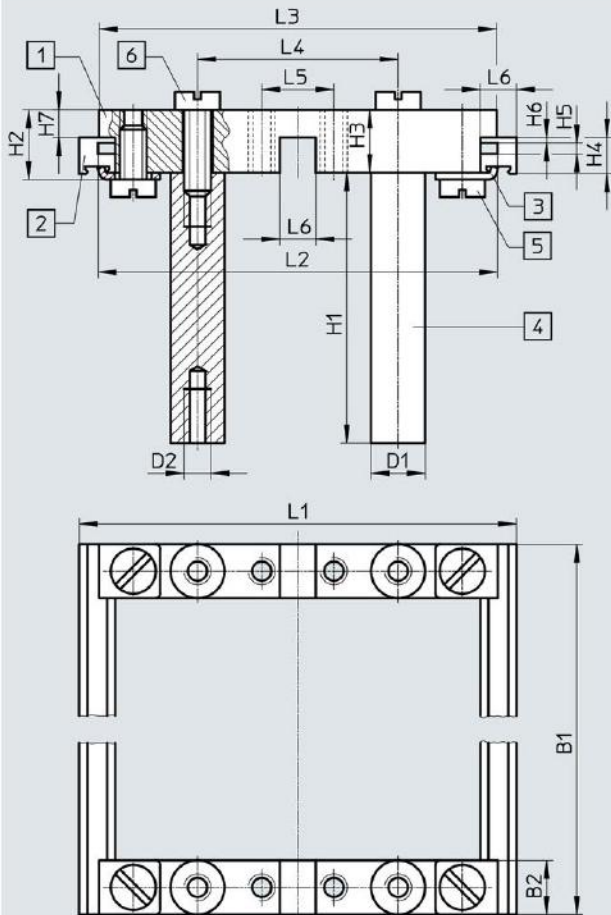


- Scope of delivery:
- 2 x connecting component NRV-2N
  - 2 x profile strip NRQ-8-480
  - 4 x mounting bracket NRW-12/3
  - 4 x bolt NRB-12/60
  - 4 x socket head screw  
DIN 84-M6X18-4.8
  - 4 x socket head screw  
DIN 84-M6X12-4.8
  - 4 x mounting bracket NRW-9/1.5-B
  - 4 x socket head screw  
DIN 84-M4X10-4.8



### Dimensions – Mounting frame NRRQ

Download CAD data → [www.festo.com](http://www.festo.com)




- [1] Connecting component NRV-2N
- [2] Profile strip NRQ-8-480
- [3] Mounting bracket NRW-12/3
- [4] Bolt NRB-12/60
- [5] Socket head screw  
DIN 84-M6X12-4.8
- [6] Socket head screw  
DIN 84-M6X18-4.8

B1	B2	D1 ∅	D2	H1	H2	H3	H4	H5	H6	H7	L1	L2	L3	L4	L5	L6
480	12	12	M6	60	15.5	14	8	2.4	1.2	6.2	97	88.6	88.2	44.5	16	8



### Dimensions and ordering data

	Part no.	Type
Mounting frame complete for 16 elements	9365	NRRQ-2N
Mounting bracket for mounting sub-bases to the frame	11571	NRW-9/1.5-B



## Accessories

Ordering data – Plug socket MSSD			Datasheets → Internet: mssd	
	Electrical connection	Cable fitting	Part no.	Type
	Angled socket, 3-pin, type A	Pg9	171157	MSSD-C-4P


  

Ordering data – Connecting cable NEBU-M8			Datasheets → Internet: nebu		
	Electrical connection	Number of wires	Cable length [m]	Part no.	Type
	M8x1, straight socket	4	2.5	541342	NEBU-M8G4-K-2.5-LE4
			5	541343	NEBU-M8G4-K-5-LE4
	M8x1, angled socket	4	2.5	541344	NEBU-M8W4-K-2.5-LE4
			5	541345	NEBU-M8W4-K-5-LE4


  

Ordering data – Connecting cable NEBU-M12			Datasheets → Internet: nebu		
	Electrical connection	Number of wires	Cable length [m]	Part no.	Type
	M12x1, straight socket	4	2.5	550326	NEBU-M12G5-K-2.5-LE4
			5	541328	NEBU-M12G5-K-5-LE4
	M12x1, angled socket	4	2.5	550325	NEBU-M12W5-K-2.5-LE4
			5	541329	NEBU-M12W5-K-5-LE4


  

Ordering data – DIN mounting rail NRC			Data sheets → Internet: nrc	
	Description	Length	Part no.	Type
	G-rail to EN 50035	2 m	6756	NRC-32-2000

Ordering data – DIN mounting rail NRH			Datasheets → Internet: nrh	
	Description	Length	Part no.	Type
	H-rail to EN 60715	2 m	35430	NRH-35-2000

Ordering data – Mounting latch PENV			Data sheets → Internet: penv	
	Description	Part no.	Type	
	For mounting on DIN mounting rail	164597	PENV-BGH	





**1 Festo Inc.**  
5300 Explorer Drive  
Mississauga, ON L4W 5G4  
Canada

**Festo Customer Interaction Center**  
Tel: 1 877 463 3786  
Fax: 1 877 393 3786  
Email: [customer.service.ca@festo.com](mailto:customer.service.ca@festo.com)

**2 Festo Pneumatic**  
Av. Ceylán 3,  
Col. Tequesquináhuac  
54020 Tlalnepantla,  
Estado de México

**Multinational Contact Center**  
01 800 337 8669  
[ventas.mexico@festo.com](mailto:ventas.mexico@festo.com)

**3 Festo Corporation**  
1377 Motor Parkway  
Suite 310  
Islandia, NY 11749

**Festo Customer Interaction Center**  
1 800 993 3786  
1 800 963 3786  
[customer.service.us@festo.com](mailto:customer.service.us@festo.com)

**4 Regional Service Center**  
7777 Columbia Road  
Mason, OH 45040

Connect with us



[www.festo.com/socialmedia](http://www.festo.com/socialmedia)



[www.festo.com](http://www.festo.com)

Subject to change