

SUBMERSIBLE ELECTRIC PUMPS in technopolymer



Single phase automatic submersible electric pumps in technopolymer for domestic use.

APPLICATIONS

- Draining flooded rooms (basements, cellars, garage)
- Small-scale irrigation of vegetable patches and gardens
- Recovery of rain water
- Movement of seepage water or draining of unfoul waste water

TECHNICAL DETAILS

- Modern design with ergonomic grip
- Standard mechanical seal
- Cable and float with quick coupling
- Supplied with 10 m power supply cable
- Plastic materials for greater resistance

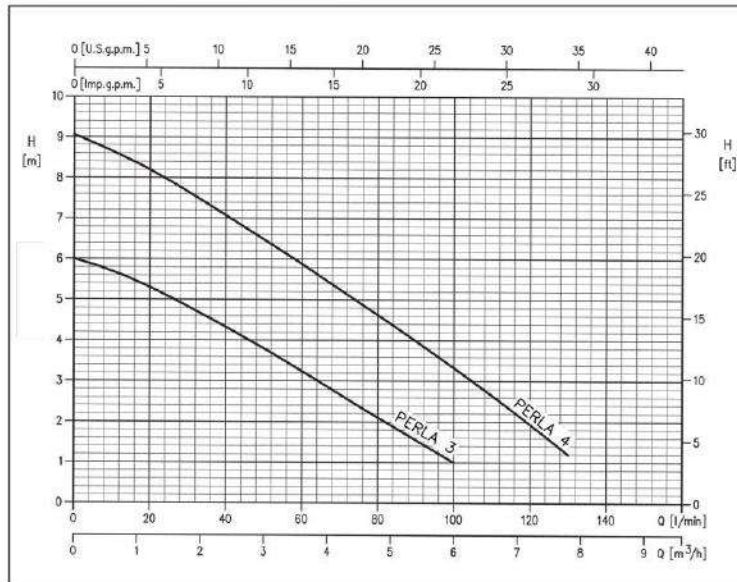
TECHNICAL DATA

- Maximum immersion: 3m
- Maximum temperature of the liquid: 40°C
- Self-ventilated 2 pole asynchronous motor
- Protection rating: IP68
- Class of insulation: F
- Single-phase voltage: 230V±10%, 50Hz
- Permanent capacitor inserted and thermo-ampereometric protection with automatic rearm incorporated

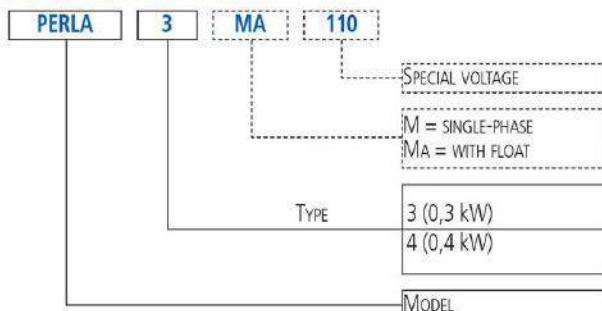
MATERIALS

- Pump body, filter base: PPE+30% fibreglass
- Cap with handle, motor cap: PPE+30% fibreglass
- Impeller: NORYL
- Motor body: in die-cast aluminium UNI 5076
- Pump shaft: in AISI 420F stainless steel
- Mechanical seal: Carbon/Ceramic/NBR
- Power supply cable: 10m type H05 RN-F (PERLA 3MA)
10m type H07 RN-F (PERLA 4MA)

PERFORMANCE CURVES (according to ISO 9906 Attachment A)



IDENTIFICATION CODE





EBARA



www.inergy.ir

PERLA

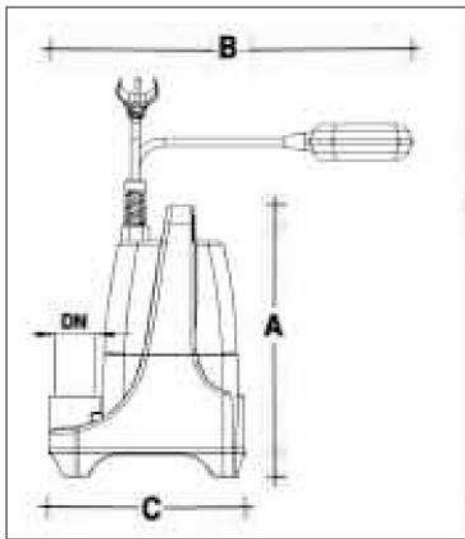
SUBMERSIBLE ELECTRIC PUMPS

in technopolymer

PERFORMANCE TABLE

Model	P ₂		Absorbed Curr. [A] 230V-50Hz	l/min m ³ /h	Q=Flow rate						
	[HP]	[kW]			20	40	60	80	100	120	130
PERLA 3 MA 10m	0,2	0,15	1,4	5,3	1,2	2,4	3,6	4,8	6,0	7,2	7,8
PERLA 4 MA 10m	0,5	0,37	2,3	8,2							

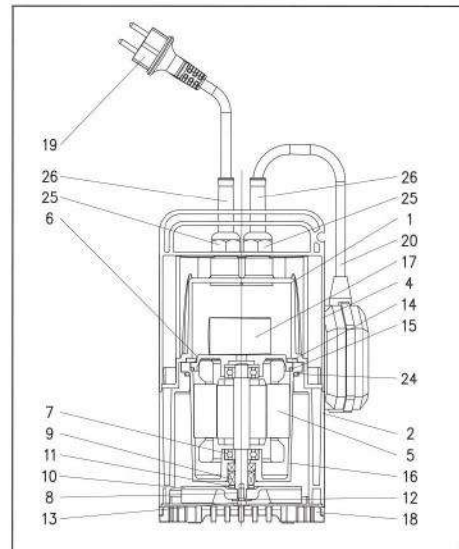
DIMENSIONS



DIMENSIONS TABLE

Model	CAPACITOR		Dimensions [mm]			Weight [kg]	DN
	[μF]	[Vc]	A	B	C		
PERLA 3 MA 10m	6,3	450	300	400	190	4,6	G1¼
PERLA 4 MA 10m	8	450	300	400	190	5,8	G1¼

SECTIONAL VIEW



MATERIALS TABLE

Ref.	Name	Material	Ref.	Name	Material
1	Motor cover	PPE + 40% G.F.	13	Screw	DIN 933 A2 10,9
2	Pump body	PPE + 30% G.F.	14	Gasket	NBR 70 sh
4	Cover	PPE + 30% G.F.	15	O-Ring	NBR 70 sh
5	Stator	Sheet steel P01/Copper HD 200	16	Motor case	Aluminium EN AB- 46100
6	Upp. bear. seat	PC±20% G.F. (Perla 3-4)	17	Capacitor	-
7	Bearing	-	18	Filter	PPE + 30% G.F.
8	Shaft with rotor	AISI 420	19	Cable	H05 Perla 3 - H07 Perla 4
9	Mechanical seal	Carbon/Ceramic/NBR	20	Float	H07 RN-F
10	Impeller	Noryl	24	O-Ring	NBR 70 sh
11	Mech. seal spacer	DIN 125 A2 140 HV	25	Cable gland nut	PA6 V-2
12	Impeller spacer	DIN 9021 A2 100 HV	26	Cable gland	EPDM 65 sh