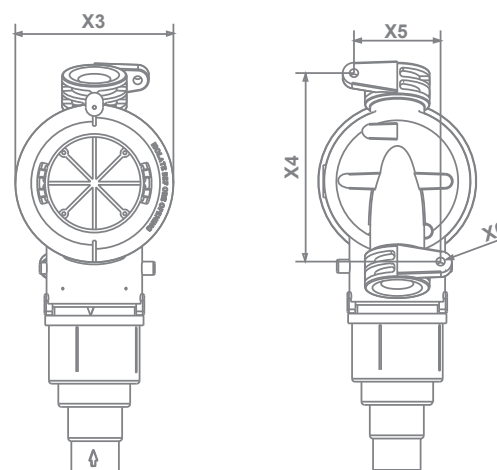
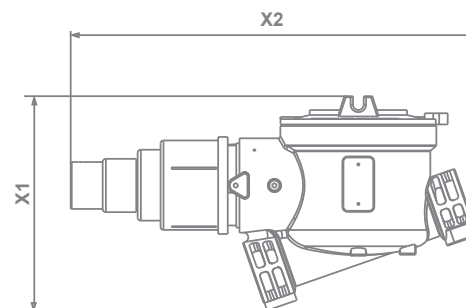


63A

SOCKET & PLUGS

Zone 1,2,21,22



2014/34/EU
IECEx System
Management
System
Valid until:
28.02.2021
www.inergy.com
ID: 9105068388



SPECIFICATION

TYPE : Ex plug and socket (63A)

Material

-Body & cover :

Aluminum alloy, copper free aluminum(as an option)

Aluminum cap with chain to prevent from losing

Brass pins Nickel plated

Marking: Ex II 2 G D

Application:

Ex d II C T6 Gb , Ex t III C T80°C Db

Ambient Temperature : -30°C to +55°C/-20°C to +40°C

Rated Voltage: Up to 690v (see the ordering table)

Rated current : Up to 32A

Internal switch conductor size : 2xM6(up to 10mm²)

Frequency : 50/60 Hz

Rated Marking/Breaking capacity : AC-3

Ingress protection :

IP 66 to IEC 60529 when plug inserted to socket

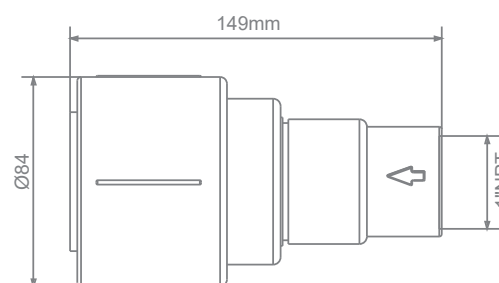
Entries

-Socket : 2x1 NPT,one plugged

(other thread forms available on request)

-Plugs : 1x1 NPT

EU type examination certificate:LOM 17ATEX1036X



Size code	X1	X2	X3	X4	X5	X6
63A	200	380	Ø146	184	83	Ø8

All information may be revised or changed by SHOMAL at anytime without prior notice or explanation.

63A

Ordering code system				
AA	Z	RE	C	XX
Body size	voltage(color)	RE: Socket PL:Plug	NO.OF PINS	Switching capacity
Socket Example		63 S RE 4 63		
Plug Example		63 S PL 4 63		



SOCKET & PLUGS

Zone 1,2,21,22

Color code		
20 25 V	VIOLET	V
40 50 V	WHITE	W
(32A) 500 V	BLACK	L
100 130 V	YELLOW	Y
200 250 V	BLUE	B
380 415 V	RED	R
(32A) 50V	GREEN	G
(63A): M.440V	SILVER	S

Body size
16
32
63



BODY SIZE	SOCKET(RE)	FREQUENCY(Hz)	ENTRY	NUMBER OF PINS	POLARITY	SWITCHING CAPACITY	ORDERING CODE (AA Z RE/PL C XX)
63	RE	50/60	1 NPT	3	2P+E	10A	63 S RE 3 10
					2P+E	15A	63 S RE 3 15
					2P+E	20A	63 S RE 3 20
					2P+E	30A	63 S RE 3 30
					2P+E	40A	63 S RE 3 40
					2P+E	50A	63 S RE 3 50
					2P+E	63A	63 S RE 3 63
				4	3P+E	10A	63 S RE 4 10
					3P+E	15A	63 S RE 4 15
					3P+E	20A	63 S RE 4 20
					3P+E	30A	63 S RE 4 30
					3P+E	40A	63 S RE 4 40
					3P+E	50A	63 S RE 4 50
					3P+E	63A	63 S RE 4 63

*other pin arrangement available upon request